

# **HYDRO BEAM X12**

## **User Instructions**

©2022 ADJ Products, LLC all rights reserved. Information, specifications, diagrams, images, and instructions herein are subject to change without notice. ADJ Products, LLC logo and identifying product names and numbers herein are trademarks of ADJ Products, LLC. Copyright protection claimed includes all forms and matters of copyrightable materials and information now allowed by statutory or judicial law or hereinafter granted. Product names used in this document may be trademarks or registered trademarks of their respective companies and are hereby acknowledged. All non-ADJ Products, LLC brands and product names are trademarks or registered trademarks of their respective companies.

**ADJ Products, LLC** and all affiliated companies hereby disclaim any and all liabilities for property, equipment, building, and electrical damages, injuries to any persons, and direct or indirect economic loss associated with the use or reliance of any information contained within this document, and/or as a result of the improper, unsafe, insufficient and negligent assembly, installation, rigging, and operation of this product.

**ADJ PRODUCTS LLC World Headquarters**

6122 S. Eastern Ave. | Los Angeles, CA 90040 USA

Tel: 800-322-6337 | Fax: 323-582-2941 | [www.adj.com](http://www.adj.com) | [lsupport@adj.com](mailto:lsupport@adj.com)

**ADJ Supply Europe B.V.**

Junostraat 2 | 6468 EW Kerkrade | Netherlands

Tel: +31 45 546 85 00 | Fax: +31 45 546 85 99 | [www.americandj.eu](http://www.americandj.eu) | [service@americandj.eu](mailto:service@americandj.eu)

Europe Energy Saving Notice

Energy Saving Matters (EuP 2009/125/EC)

Saving electric energy is a key to help protecting the environment. Please turn off all electrical products when they are not in use. To avoid power consumption in idle mode, disconnect all electrical equipment from power when not in use. Thank you!

**DOCUMENT VERSION**



Due to additional product features and/or enhancements, an updated version of this document may be available online.

Please check [www.adj.com](http://www.adj.com) for the latest revision/update of this manual before beginning installation and/or programming.

Date	Document Version	Software Version >	DMX Channel Mode	Notes
01/21/22	1	1.00	14 / 18	Initial Version
10/28/22	2	N/C	No Change	Updated Specifications, IP65 Rated, and Dimensions

# CONTENTS

General Information	4
Limited Warranty (USA Only)	5
IP65 Notice	6
Safety Guidelines	7
Overview	11
Discharge Lamp Warning	12
Lamp Installation	13
Torque Settings for Screws	14
Torque Screw Locations	15
Color Wheel	16
Gobo Wheel	17
Fixture Installation	18
Connections	21
DMX Set Up	22
DMX Addressing	23
System Menu	24
DMX Traits: Channel Functions & Values	32
Error Codes	35
Power Linking   Cleaning	37
Technical Specifications	38

# **GENERAL INFORMATION**

## **INTRODUCTION**

Please read and understand all instructions in this manual carefully and thoroughly before attempting to operate these products. These instructions contain important safety and use information.

## **UNPACKING**

The products in this kit have been thoroughly tested and have been shipped in perfect operating condition. Carefully check the shipping carton for damage that may have occurred during shipping. If the carton appears to be damaged, carefully inspect each unit included for damage and be sure all accessories necessary to operate the units have arrived intact. In the event damage has been found or parts are missing, please contact our customer support team for further instructions. Please do not return this kit to your dealer without first contacting customer support at the number listed below. Please do not discard the shipping carton in the trash. Please recycle whenever possible.

## **WARRANTY RETURNS**

All returned service items whether under warranty or not, must be freight pre-paid and accompany a return authorization (R.A.) number. The R.A. number must be clearly written on the outside of the return package. A brief description of the problem as well as the R.A. number must also be written down on a piece of paper and included in the shipping container. If the unit is under warranty, you must provide a copy of your proof of purchase invoice. Items returned without a R.A. number clearly marked on the outside of the package will be refused and returned at customer's expense. You may obtain a R.A. number by contacting customer support.

# LIMITED WARRANTY (USA ONLY)

- A. ADJ Products, LLC hereby warrants, to the original purchaser, ADJ Products, LLC products to be free of manufacturing defects in material and workmanship for a prescribed period from the date of purchase (see specific warranty period on reverse). This warranty shall be valid only if the product is purchased within the United States of America, including possessions and territories. It is the owner's responsibility to establish the date and place of purchase by acceptable evidence, at the time service is sought.
- B. For warranty service, you must obtain a Return Authorization number (RA#) before sending back the product-please contact ADJ Products, LLC Service Department at 800-322-6337. Send the product only to the ADJ Products, LLC factory. All shipping charges must be pre-paid. If the requested repairs or service (including parts replacement) are within the terms of this warranty, ADJ Products, LLC will pay return shipping charges only to a designated point within the United States. If the entire instrument is sent, it must be shipped in its original package. No accessories should be shipped with the product. If any accessories are shipped with the product, ADJ Products, LLC shall have no liability whatsoever for loss of or damage to any such accessories, or for the safe return thereof.
- C. This warranty is void if the serial number has been altered or removed; if the product is modified in any manner which ADJ Products, LLC concludes, after inspection, affects the reliability of the product, if the product has been repaired or service by anyone other than ADJ Products, LLC factory unless prior written authorization was issued to purchaser by ADJ Products, LLC; if the product is damaged because not properly maintained as set forth in the instruction manual.
- D. This is not a service contract, and this warranty does not include maintenance, cleaning or periodic check up. During the period specified above, ADJ Products, LLC will replace defective parts at its expense with new or refurbished parts, and will absorb all expenses for warranty service and repair labor by reason of defects in material or workmanship. The sole responsibility of ADJ Products, LLC under this warranty shall be limited to the repair of the product, or replacement thereof, including parts, at the sole discretion of ADJ Products, LLC. All products covered by this warranty were manufactured after August 15, 2012, and bear identifying marks to that effect.
- E. ADJ Products, LLC reserves the right to make changes in design and/or improvements upon its products without any obligation to include these changes in any products theretofore manufactured.
- F. No warranty, whether expressed or implied, is given or made with respect to any accessory supplied with products described above. Except to the extent prohibited by applicable law, all implied warranties made by ADJ Products, LLC in connection with this product, including warranties of merchantability or fitness, are limited in duration to the warranty period set forth above. And no warranties, whether expressed or implied, including warranties of merchantability or fitness, shall apply to this product after said period has expired. The consumer's and/or Dealer's sole remedy shall be such repair or replacement as is expressly provided above; and under no circumstances shall ADJ Products, LLC be liable for any loss or damage, direct or consequential, arising out of the use of, or inability to use, this product.
- G. This warranty is the only written warranty applicable to ADJ Products, LLC Products and supersedes all prior warranties and written descriptions of warranty terms and conditions heretofore published.

## LIMITED WARRANTY PERIODS

- **Non L.E.D. Lighting Products = 1-year (365 days) Limited Warranty** (Such as: Special Effect Lighting, Intelligent Lighting, UV lighting, Strobes, Fog Machines, Bubble Machines, Mirror Balls, Par Cans, Trussing, Lighting Stands etc. excluding LED and lamps)
- **Laser Products = 1 Year (365 Days) Limited Warranty** (excludes laser diodes which have 6 month limited warranty)
- **L.E.D. Products = 2-year (730 days) Limited Warranty** (excluding batteries which have a 180 day limited warranty)  
Note: 2 Year Warranty only applies to purchases within the United States.
- **StarTec Series = 1 Year Limited Warranty** (excluding batteries which have a 180 day limited warranty)
- **ADJ DMX Controllers = 2 Year (730 Days) Limited Warranty**

## IP65 RATED

An IP rated lighting fixture is one, which is commonly installed in outdoor environments and has been designed with an enclosure that effectively protects the ingress (entry) of external foreign objects such as dust and water. The International Protection (IP) rating system is commonly expressed as “IP” (Ingress Protection) followed by two numbers (i.e. IP65) where the numbers define the degree of protection. The first digit (Foreign Bodies Protection) indicates the extent of protection against particles entering the fixture and the second digit (Water Protection) indicates the extent of protection against water entering the fixture. An IP65 rated lighting fixture is one, which has been designed and tested to protect against the ingress of dust (6) and low-pressure water jets from any direction (5). **INTENDED FOR TEMPORARY OUTDOOR USE ONLY!**

### MARINE/COASTAL ENVIRONMENT INSTALLATIONS

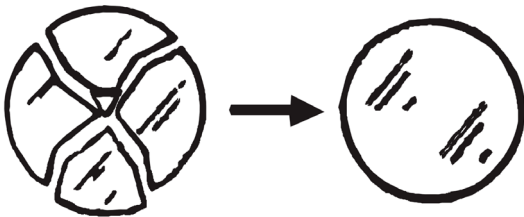


NOT suitable for marine and/or coastal environment installations. Installing this fixture in a marine and/or coastal environment may cause corrosion and/or excessive wear to the interior and/or exterior components of the fixture. Damages and/or performance issues resulting from installation in a marine and/or coastal environment will void the manufactures warranty and will NOT be subject to any warranty claims and/or repairs.

# SAFETY GUIDELINES

**FOR YOUR OWN PERSONAL SAFETY, PLEASE READ AND UNDERSTAND THIS MANUAL COMPLETELY BEFORE YOU ATTEMPT TO INSTALL OR OPERATE THIS UNIT!**

- **THERE ARE NO USER SERVICEABLE PARTS INSIDE THIS UNIT. DO NOT ATTEMPT ANY REPAIRS YOURSELF; DOING SO WILL VOID YOUR MANUFACTURES WARRANTY. DAMAGES RESULTING FROM MODIFICATIONS TO THIS FIXTURE AND/OR THE DISREGARD OF SAFETY INSTRUCTIONS AND GUIDELINES IN THIS MANUAL VOID THE MANUFACTURES WARRANTY AND ARE NOT SUBJECT TO ANY WARRANTY CLAIMS AND/OR REPAIRS.**
- **DO NOT PLUG THE FIXTURE INTO A DIMMER PACK! NEVER OPEN THIS FIXTURE WHILE IN USE! UNPLUG POWER BEFORE SERVICING FIXTURE! NEVER TOUCH THE FIXTURE DURING OPERATION AS IT MAY BE HOT! KEEP FLAMMABLE MATERIALS AWAY FROM FIXTURE! ENSURE ALL CONNECTIONS AND END CAPS ARE PROPERLY SEALED WITH A DIELECTRIC GREASE (AVAILABLE AT MOST ELECTRICAL SUPPLIERS) TO PREVENT WATER CORROSION AND/OR ELECTRICAL SHORT CIRCUIT.**
- **IF THE FIXTURE IS EXPOSED TO ENVIRONMENTAL TEMPERATURE CHANGES SUCH AS RELOCATION FROM AN OUTDOOR COLD TO AN INDOOR WARM ENVIRONMENT, DO NOT POWER THE FIXTURE ON IMMEDIATELY. INTERNAL CONDENSATION AS A RESULT OF ENVIRONMENTAL TEMPERATURE CHANGE CAN CAUSE INTERNAL FIXTURE DAMAGE. LEAVE THE FIXTURE POWERED OFF UNTIL IT HAS REACHED ROOM TEMPERATURE BEFORE POWERING ON.**
- **NEVER LOOK DIRECTLY INTO THE LIGHT SOURCE! RETINA INJURY RISK - MAY INDUCE BLINDNESS SENSITIVE PERSONS MAY SUFFER AN EPILEPTIC SHOCK!**



**Ø6.0" (Ø152mm) ROUND**

- Replace shields, lenses or ultraviolet screens if they have become visibly damaged to such an extent that their effectiveness is impaired, for example by cracks or deep scratches.
- Change the lamp if it has become damaged or thermally deformed.
- The luminaire is intended for professional use only.
- The light source contained in this luminaire shall only be replaced by the manufacturer, qualified service agent, or a similar qualified technician.
- Reinforced insulation is located between LV supply and DMX dimming control circuit.
- No insulation located between SELV circuit and DMX dimming control circuit.
- Be sure that the local power outlet is compatible with the required voltage for your unit. • Do not attempt to operate this unit if the power cord has been frayed or broken.
- Do not attempt to remove or break off the ground prong from the electrical cord. internal short.
- Disconnect from main power before making any type of connection.
- Do not remove the cover under any conditions. There are no user serviceable parts inside. • Never operate this unit when it's cover is removed.
- Always be sure to mount this unit in an area that will allow proper ventilation. Allow about 7.9" (20cm) between this device and a wall.
- Do not attempt to operate this unit, if it becomes damaged. • Always mount this unit in safe and stable matter.
- Power-supply cords should be routed so that they are not likely to be walked on or pinched by items placed upon or against them, paying particular attention to cords at plugs, convenience receptacles, and the point where they exit from the appliance.
- Cleaning -The fixture should be cleaned only as recommended by the manufacturer.
- Heat -This fixture should be situated away from heat sources such as radiators, heat registers, stoves, or other appliances (including amplifiers) that produce heat.
- The fixture should be serviced by qualified service personnel when the appliance does not appear to operate normally or exhibits a marked change in performance.

# SAFETY GUIDELINES

To guarantee a smooth operation, it is important to follow all instructions and guidelines in this manual. ADJ Products, LLC is not responsible for injury and/or damages resulting from the misuse of this fixture due to the disregard of the information printed in this manual. Only qualified and/or certified personnel should perform installation of this fixture and only the original rigging parts included with this fixture should be used for installation. Any modifications to the fixture and/or the included mounting hardware will void the original manufactures warranty and increase the risk of damage and/or personal injury.



## **PROTECTION CLASS 1 - FIXTURE MUST BE PROPERLY GROUNDED**



**THERE ARE NO USER SERVICEABLE PARTS INSIDE THIS UNIT. DO NOT ATTEMPT ANY REPAIRS YOURSELF; DOING SO WILL VOID YOUR MANUFACTURES WARRANTY. DAMAGES RESULTING FROM MODIFICATIONS TO THIS FIXTURE AND/OR THE DISREGARD OF SAFETY INSTRUCTIONS AND GUIDELINES IN THIS MANUAL VOID THE MANUFACTURES WARRANTY AND ARE NOT SUBJECT TO ANY WARRANTY CLAIMS AND/OR REPAIRS.**



**DO NOT PLUG FIXTURE INTO A DIMMER PACK!  
NEVER OPEN THIS FIXTURE WHILE IN USE!  
UNPLUG POWER BEFORE SERVICING FIXTURE!  
NEVER TOUCH FIXTURE DURING OPERATION AS IT MAY BE HOT!**

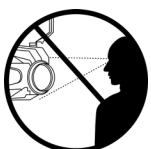
**Maximum ambient temperature is  $T_a$ : 40°C. DO NOT operate it where the temperature is higher than this. Unit surface temperature may reach up to 75°C. DO NOT touch the housing bare-hand during its operation. Turn off the power and allow about 15 minutes for the unit to cool down before replacing or serving.  
KEEP FLAMMABLE MATERIALS AWAY FROM FIXTURE!**



**ENSURE ALL CONNECTIONS AND END CAPS ARE PROPERLY SEALED WITH A DIELECTRIC GREASE (AVAILABLE AT MOST ELECTRICAL SUPPLIERS) TO PREVENT WATER CORROSION AND/OR ELECTRICAL SHORT CIRCUIT.**



**IF THE FIXTURE IS EXPOSED TO ENVIRONMENTAL TEMPERATURE CHANGES SUCH AS RELOCATION FROM AN OUTDOOR COLD TO AN INDOOR WARM ENVIRONMENT, DO NOT POWER THE FIXTURE ON IMMEDIATELY. INTERNAL CONDENSATION AS A RESULT OF ENVIRONMENTAL TEMPERATURE CHANGE CAN CAUSE INTERNAL FIXTURE DAMAGE. LEAVE THE FIXTURE POWERED OFF UNTIL IT HAS REACHED ROOM TEMPERATURE BEFORE POWERING ON.**



**NEVER LOOK DIRECTLY INTO THE LIGHT SOURCE! RETINA INJURY RISK - MAY INDUCE BLINDNESS! SENSITIVE PERSONS MAY SUFFER AN EPILEPTIC SHOCK! THIS IS A RISK GROUP 3 (HIGH RISK) PRODUCT ACCORDING TO EN 62471 AND IEC/TR 62778. THE LUMINAIRE SHOULD BE POSITIONED 63 METERS OR MORE FROM THE OUTPUT OF THE FIXTURE TO REDUCE OR ELIMINATE EXPOSURE.**



# SAFETY GUIDELINES

## **CAUTION**

### **HIGH INTENSITY ULTRAVIOLET LIGHT**



AVOID DIRECT EYE & SKIN EXPOSURE.  
WEAR PROPER EYE & SKIN PROTECTION.  
SEE MANUAL FOR SAFETY INSTRUCTIONS

**RISK GROUP 3 - RISK OF EXPOSURE TO ULTRAVIOLET UV RADIATION! FIXTURE EMITS HIGH INTENSITY WAVELENGTH OF ULTRAVIOLET UV LIGHT FROM THE UV COLOR FILTER. WEAR PROPER EYE AND SKIN PROTECTION. AVOID PROLONGED PERIODS OF EXPOSURE TO UV COLOR FILTER. AVOID WEARING WHITE COLOR CLOTHING AND/OR USING UV PAINTS ON SKIN. AVOID DIRECT EYE AND/OR SKIN**

**EXPOSURE AT DISTANCES LESS THAN 11 feet (3.3m). DO NOT OPERATE FIXTURE WITH DAMAGED/MISSING EXTERNAL COVERS. DO NOT LOOK DIRECTLY INTO THE UV LIGHT AND/OR VIEW UV LIGHT DIRECTLY WITH OPTICAL INSTRUMENTS THAT MAY CONCENTRATE THE LIGHT/RADIATION OUTPUT. INDIVIDUALS SUFFERING FROM A RANGE OF EYE CONDITIONS, SUNLIGHT EXPOSURE DIS-ORDERS, OR INDIVIDUALS USING PHOTSENSITIVE MEDICATION, MAY RECEIVE DISCOMFORT IF EXPOSED TO THE ULTRAVIOLET UV LIGHT EMITTED FROM THE UV LED.**

**DO NOT TOUCH** the fixture housing during operation. Turn OFF the power and allow approximately 15 minutes for the fixture to cool down before servicing.

**DO NOT** shake fixture; avoid brute force when installing and/or operating fixture.

**DO NOT** operate fixture if the power cord has become frayed, crimped, damaged and/or if any of the power cord connectors are damaged and do not insert into the fixture securely with ease.

**NEVER** force a power cord connector into the fixture. If the power cord or any of its connectors are damaged, replace it immediately with a new one of similar power rating.

**DO NOT** block any air ventilation slots; these must remain clean and never blocked. Allow approx. 7.9" (20cm) between fixture and other devices or a wall for proper cooling.

When installing fixture in a suspended environment, always use mounting hardware that is no less than M10 x 25 mm, and always attach an appropriately rated safety cable.

**ALWAYS** disconnect fixture from main power source before performing any type of service and/or cleaning procedure. Only handle the power cord by the plug end; never pull out the plug by tugging the wire portion of the cord.

During the initial operation of this fixture, a light smoke or smell may emit from the interior of the fixture. This is a normal process and is caused by excess paint in the interior of the casing burning off from the heat associated with the lamp and will decrease gradually over time.

Consistent operational breaks will ensure fixture will function properly for many years. **ONLY** use the original packaging and materials to transport the fixture in for service.

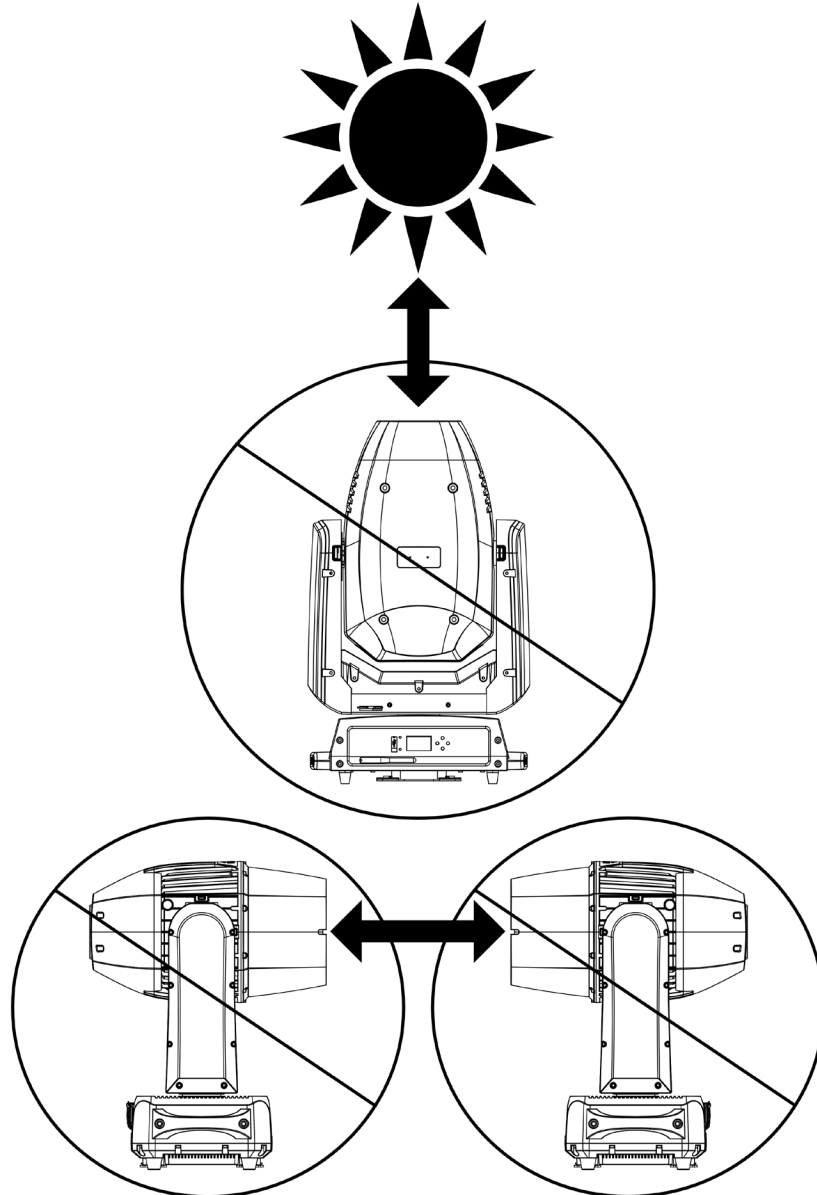
# SAFETY GUIDELINES

## POTENTIAL INTERNAL FIXTURE DAMAGE FROM EXTERNAL SOURCES OF LIGHT BEAMS

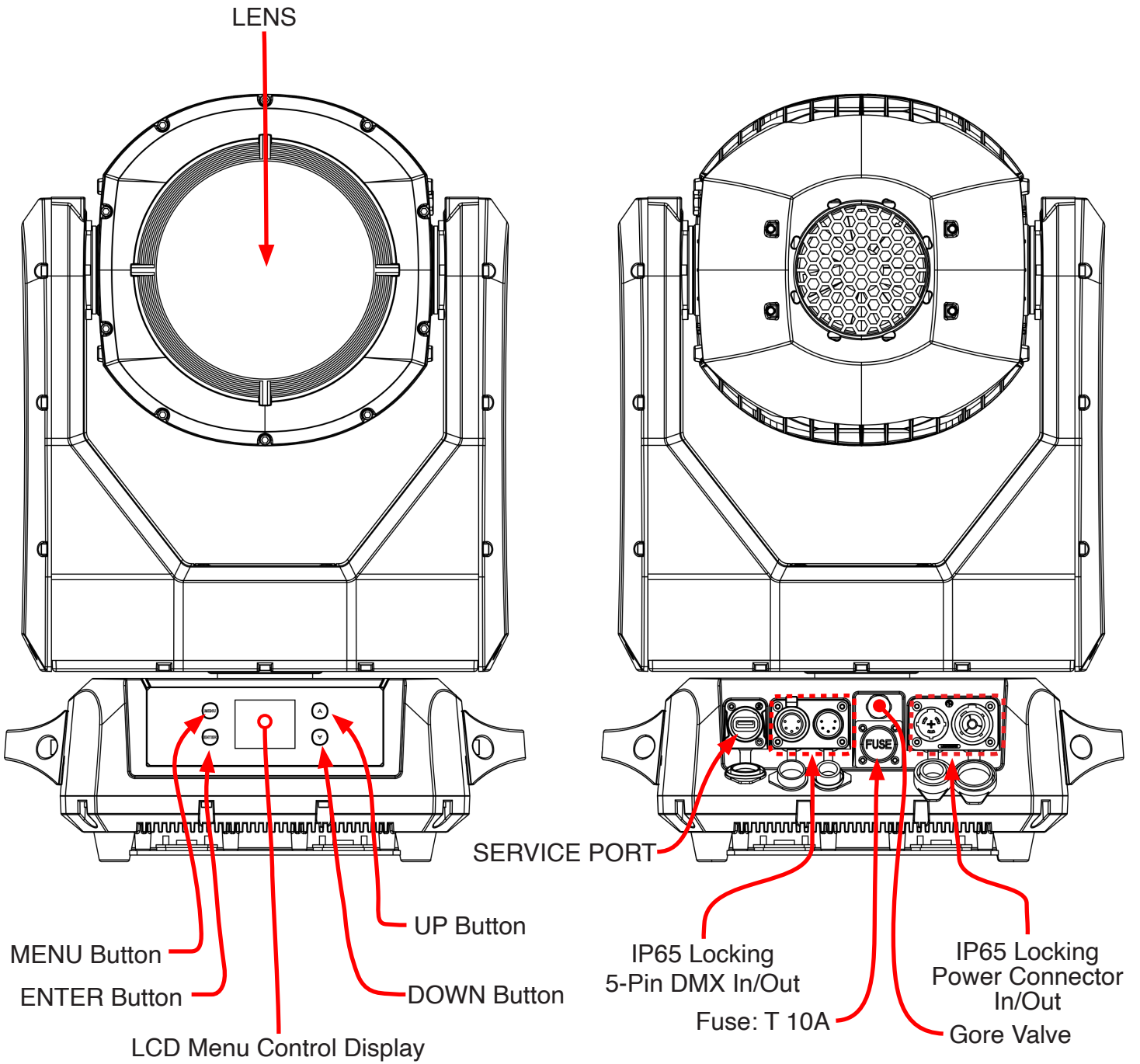
External sources of light beams from direct sunlight, lighting moving head fixtures, and lasers, which are focused directly towards the exterior housing and/or penetrate the front lens opening of ADJ lighting fixtures, can cause severe internal damage including burning to optics, dichroic color filters, glass and metal gobos, prisms, animation wheels, frost filters, iris, shutters, motors, belts, wiring, discharge lamps, and LEDs.

This issue is not specific only to ADJ lighting fixtures, it is a common issue with lighting fixtures from all manufacturers. Although there is no true way to fully prevent this issue from happening, the guidelines below can prevent any potential damage from occurring if followed. Contact ADJ Service for more details.

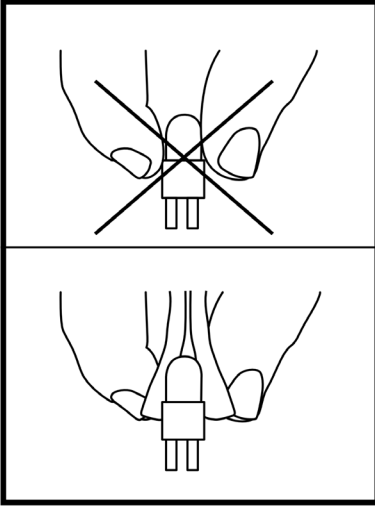
**DO NOT EXPOSE THE FIXTURE AND/OR FRONT LENS OPENING TO LIGHT BEAMS FROM DIRECT SUNLIGHT, OTHER LIGHTING MOVING HEAD FIXTURES, AND LASERS WHILE UNPACKING, INSTALLATION, USE, AND EXTENDED IDLE TIMES OUTDOORS.**  
**DO NOT FOCUS A LIGHT BEAM FROM ONE LIGHTING FIXTURE DIRECTLY TOWARDS ANOTHER.**



# OVERVIEW



## DISCHARGE LAMP WARNING



This fixture is fitted with a DISCHARGE LAMP, which is highly susceptible to damage if improperly handled. NEVER touch the lamp with your bare hands as the oil from your hands will shorten the life of the lamp. Also, NEVER move the fixture until the lamp has had ample time to cool. Lamps are NOT covered under warranty conditions. Avoid switching the fixture ON and OFF repeatedly in short intervals as this will reduce lamp life and intensity. To achieve the intensity associated with discharge lamps, these lamps use gas sealed in a high-pressure environment to emit a brilliant output.

Due to the high pressure involved with the construction of the lamp, the lamp MAY EXPLODE DURING PROLONGED EXTENSIVE USE. This risk is increased with age; added care is encouraged when dealing with older lamps. Thus, the lamp must always be replaced at the end of their recommended duty cycle. Extreme caution should be used when operating this or any fixture fitted with a gas discharge lamp.



### UV RADIATION NOTICE

This fixture emits intense UV radiation, which is harmful to the eyes and skin. The intense luminescence of the lamp can cause severe damage to the retina. NEVER operate this fixture with ANY of the protective covers removed. These covers have been specially designed to shield against UV radiation.

## LAMP REPLACEMENT WARNING

**NOTE:** The lamp life is represented in “Percentages”.

When the unit reaches 15% of lamp life left, the display will flash the message, “**Replace The Lamp Soon**”. This message will flash for up to 10 minutes. To confirm this warning and return to normal operation, press the **ENTER** button.

When the unit reaches 10% of lamp life left, the display will again flash the message, “**Replace The Lamp Soon**”. This message will flash for up to 10 minutes. To confirm this warning and return to normal operation, press the **ENTER** button.

**NOTE:** When the fixture is powered OFF and then back ON again, the fixture display will flash the following message: “**Replace The Lamp Soon**”.

When the unit reaches between 5%-0% of lamp life left, the display will flash the message “**Replace The Lamp Immediately**”. The unit will now NO longer respond to DMX commands and enter hibernation mode which will discontinue all fixture functionality with the exception of a few menu commands. The fixture will continue to enter into hibernation mode until the lamp is replaced and the lamp time (**LAMP ON TIME-R**) has been reset. See page 36 “**LAMP ON TIME-R**” under the “**TOTAL LAMP TIME**” submenu.

**NOTE:** After replacing the lamp, the lamp time **MUST** be reset. The lamp time must be reset to gain access to the full system menu.



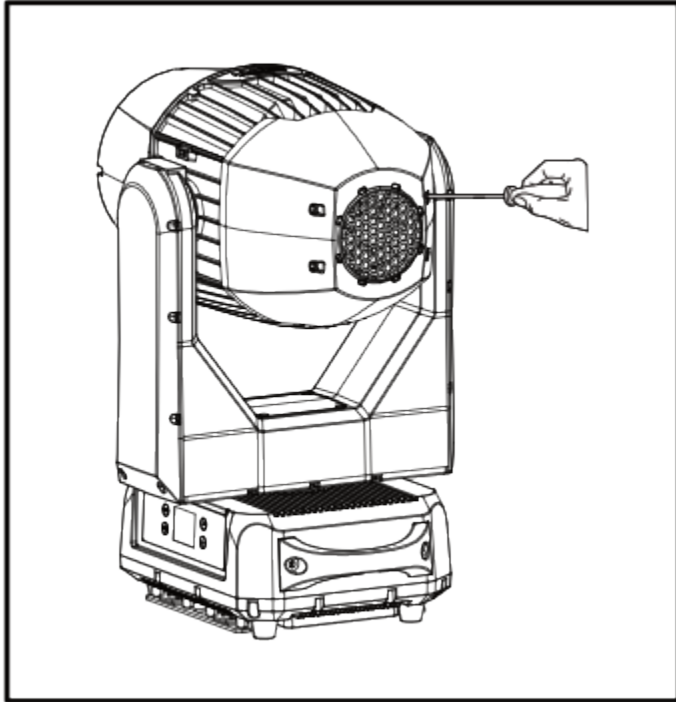
Lamp Life may vary depending on several factors including but not limited to: Environmental Conditions, Power/Voltage, Usage Patterns (On-Off Cycling), Control, and Dimming.

# LAMP INSTALLATION

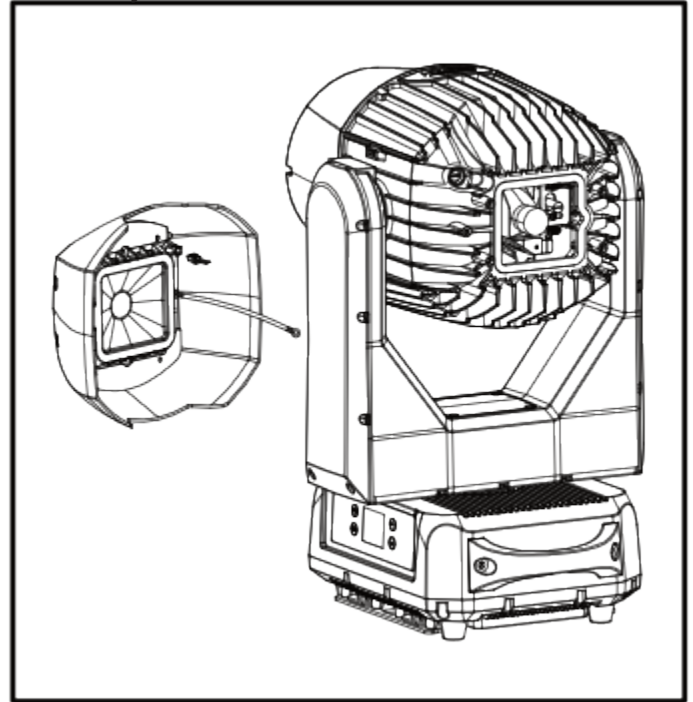


**WARNING! LAMP REPLACEMENT SHOULD ONLY BE DONE BY A TRAINED TECHNICIAN.**

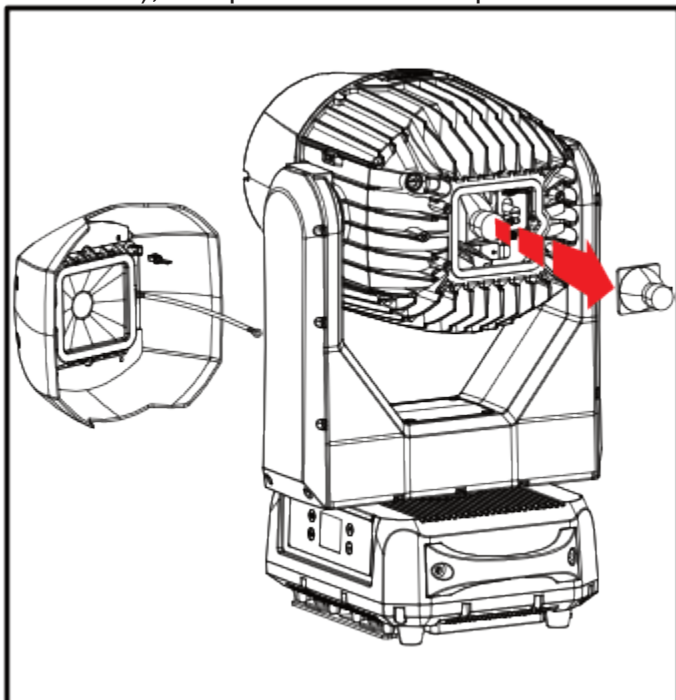
1. Turn OFF power and allow approximately 15 minutes for the fixture to cool down.



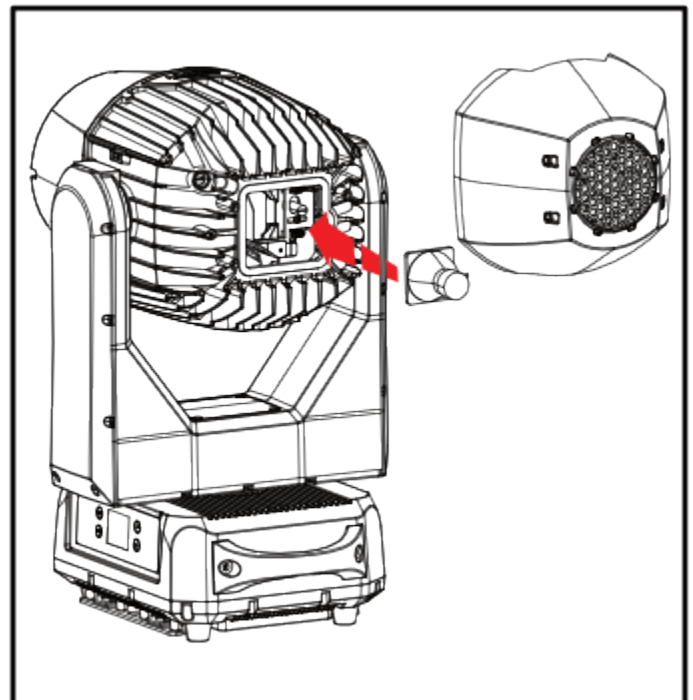
2. Loosen the screws on the head of the fixture and open the fixture head covers. Unplug the fan and loosen the screw that secures the safety cable.



3. Loosen the screw that holds the lamp in place. Unplug the leads and lift the lamp out of its recess. Connect leads to the new lamp (same model), and place into the lamp recess.



4. Reinstall the head panel, fastening it securely before reapplying power.



# TORQUE SETTINGS FOR SCREWS

**ALL SCREWS MUST BE TIGHTENED WITH A TORQUE DRIVER.** All screws are Allen Head screws. Please see below for screw locations, screw quantity and torque settings. The number listed in the “#” column corresponds to the location on the fixture. See the fixture diagram and number on the next page for **SCREW LOCATION** depictions.

1	Lens Assembly to Head Casting (x10)	6.5-8.7 In-Lb / 3mm Hex
2	Lamp Cover to Head Casting (x4)	6.7-9.6 In-Lb / 4mm Hex
3	Yoke Arm Cover to Yoke Frame (11 x Each Side = 22 Total)	6.5-8.7 In-Lb / 3mm Hex
4	Access Cover to Yoke Frame (x4)	Manual Screwdriver / 3mm Hex
5	Bottom Cover to Base Casting (x12)	6.7-9.6 In-Lb / 3mm Hex
6	Power & Data Connector to Base Casting (x14)	6.5-8.7 In-Lb / Torx T8
7	1/4 Turn Adapter Plate to Bottom Cover (x16)	6.5-8.7 In-Lb / 3mm Hex

**TORQUE DRIVERS (Recommended): UTICA TS-30 (Shown)**

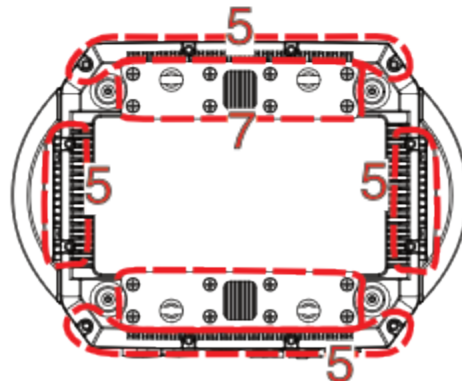
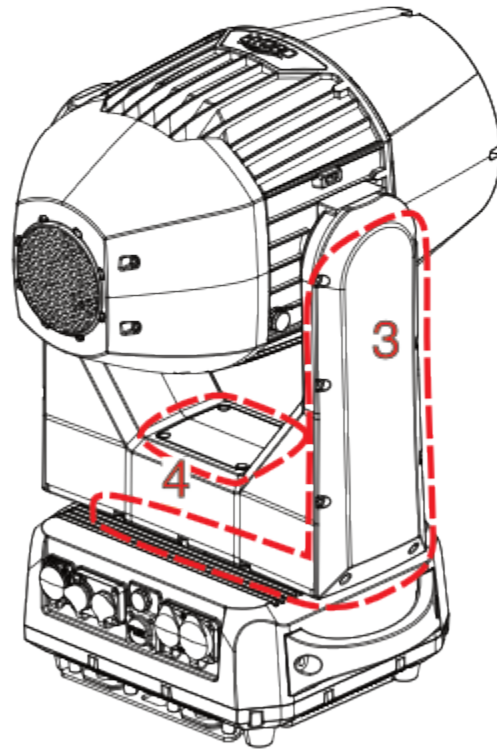
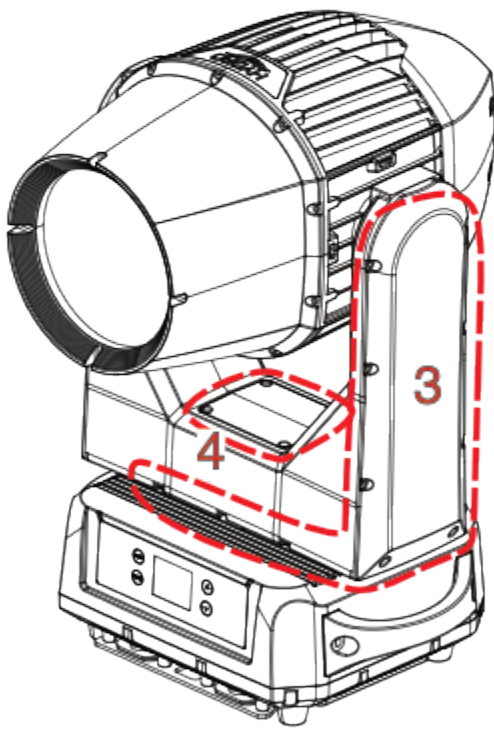
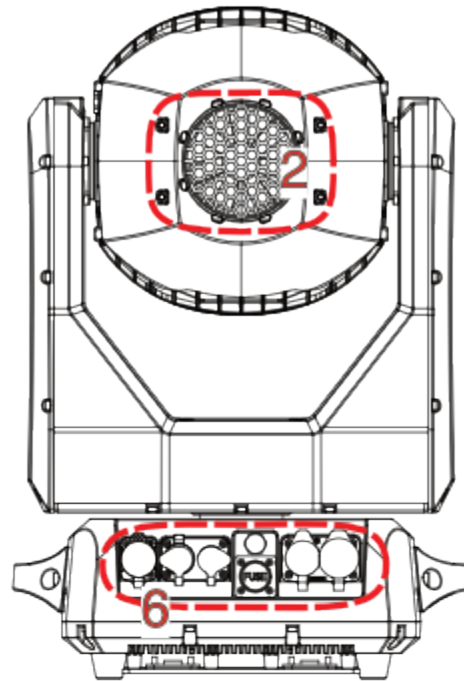
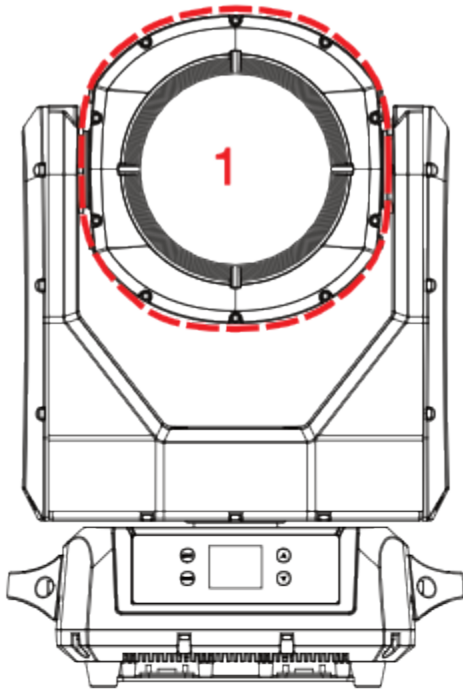
**ALTERNATIVE DRIVERS:**  
Proto J6107A  
Wiha 28887



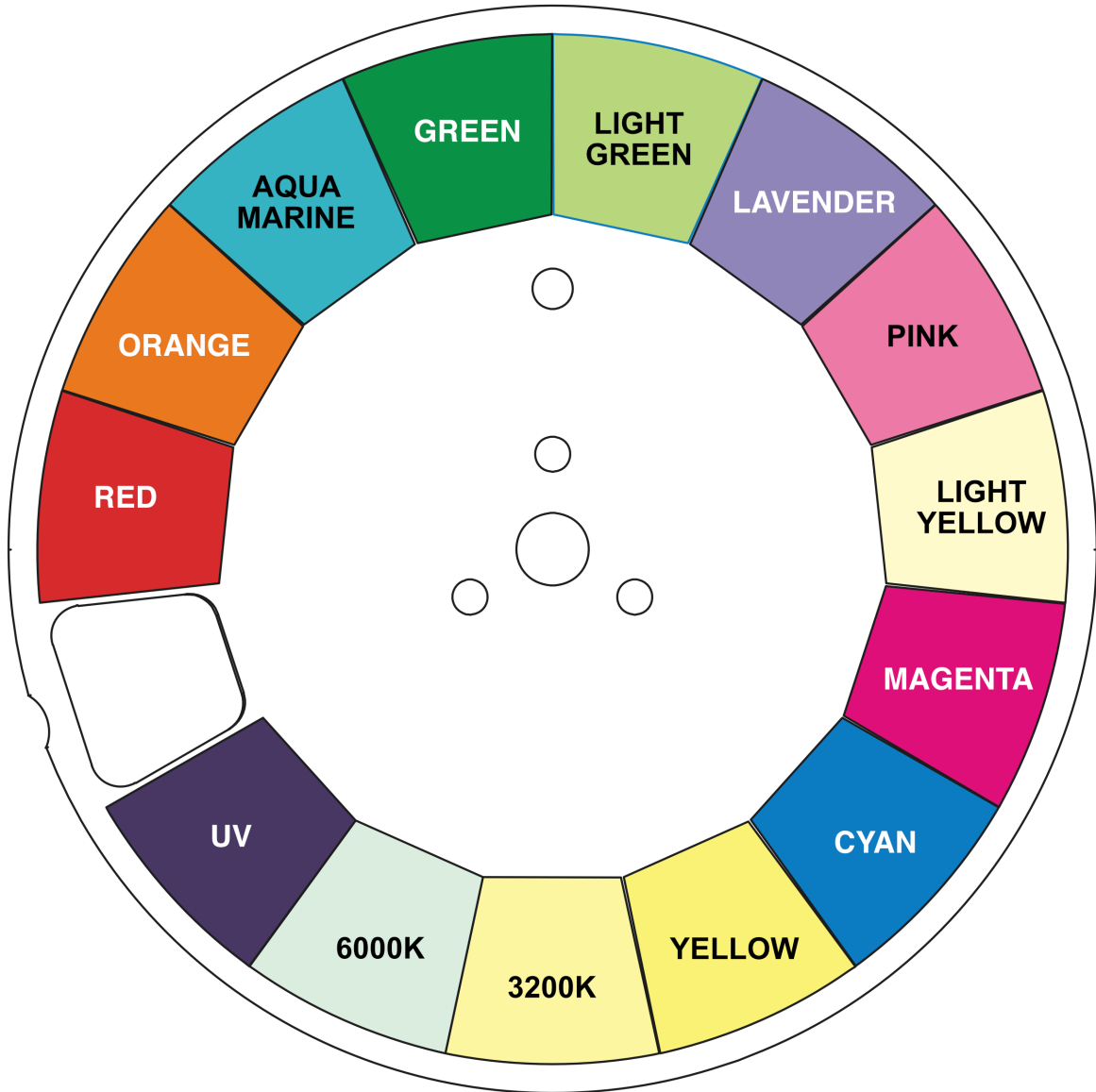
**CAUTION! DO NOT OVER TORQUE SCREWS AS THIS CAN CAUSE LEAKAGE ISSUES! TO CONFIRM THE IP65 INTEGRITY AFTER A LAMP REPLACEMENT, TEST THE FIXTURE USING THE ELATION IP TESTER. CONTACT ELATION SERVICE FOR MORE DETAILS.**



# TORQUE SCREWS LOCATIONS

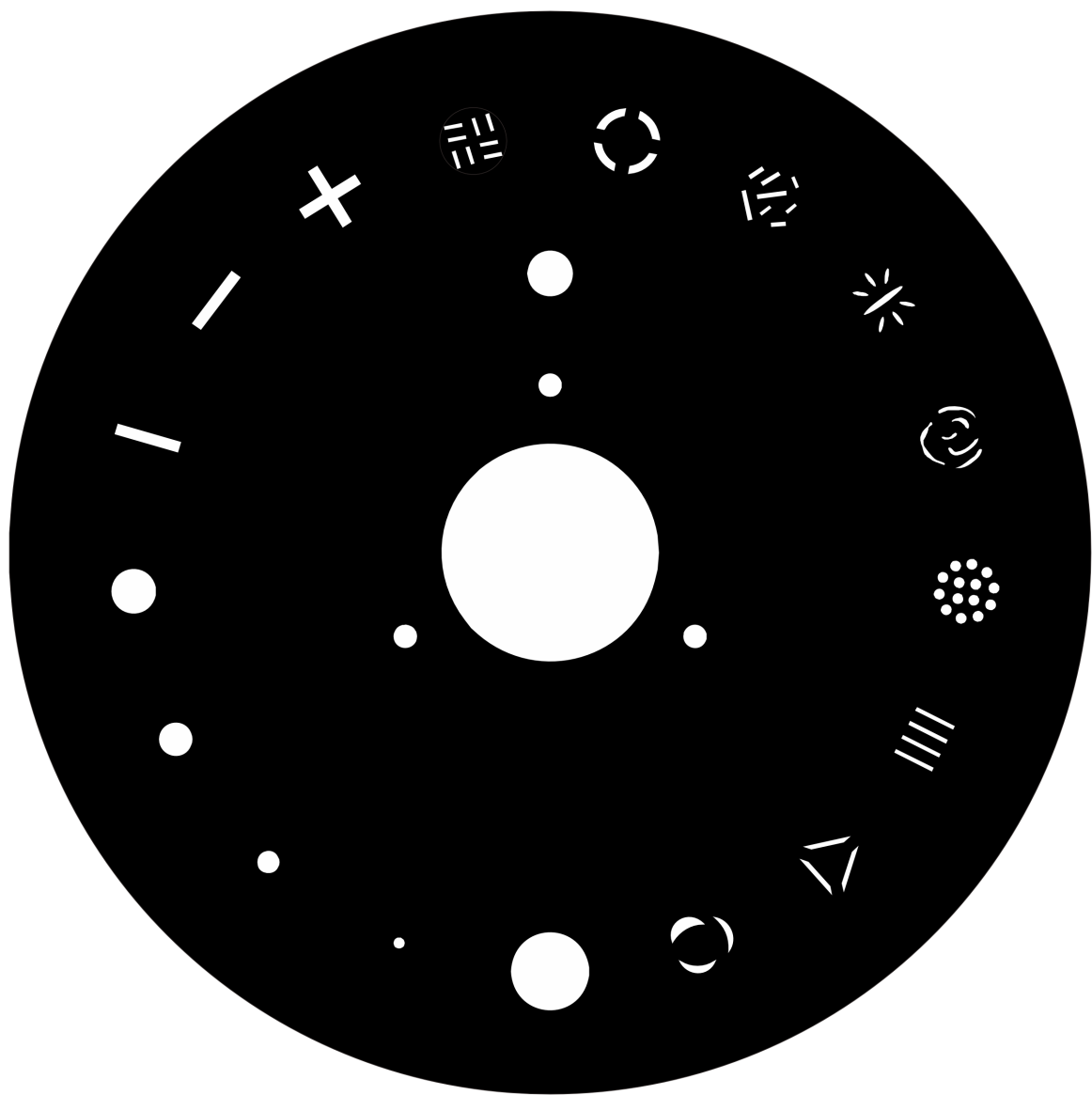


# COLOR WHEEL





# STATIC GOBO WHEEL



## FIXTURE INSTALLATION



### **FLAMMABLE MATERIAL WARNING**

Keep fixture at least 7.9in. (0.2m) away from any flammable materials, decorations, pyrotechnics, etc.



### **ELECTRICAL CONNECTIONS**

A qualified electrician should be used for all electrical connections and/or installations.



**MINIMUM DISTANCE TO OBJECTS/SURFACES MUST BE 40 FEET (12 METERS)**



**MAXIMUM TEMPERATURE OF EXTERNAL SURFACE 167°F (75°C)**

### **DO NOT INSTALL THE FIXTURE IF YOU ARE NOT QUALIFIED TO DO SO!**

Fixture **MUST** be installed following all local, national, and country commercial electrical and construction codes and regulations. Before rigging/mounting the fixture to any metal truss/structure or placing the fixture on any surface, a professional equipment installer **MUST** be consulted to determine if the metal truss/structure or surface is properly certified to safely hold the combined weight of the fixture, clamps, cables, and accessories.

Overhead fixture installation must always be secured with a secondary safety attachment, such as an appropriately rated safety cable that meets all local, national, and country codes and regulations.

Fixture ambient operating temperature range is **-4°F to 104°F. (-20°C to 40°C)** Do not use this fixture outside this temperature range.

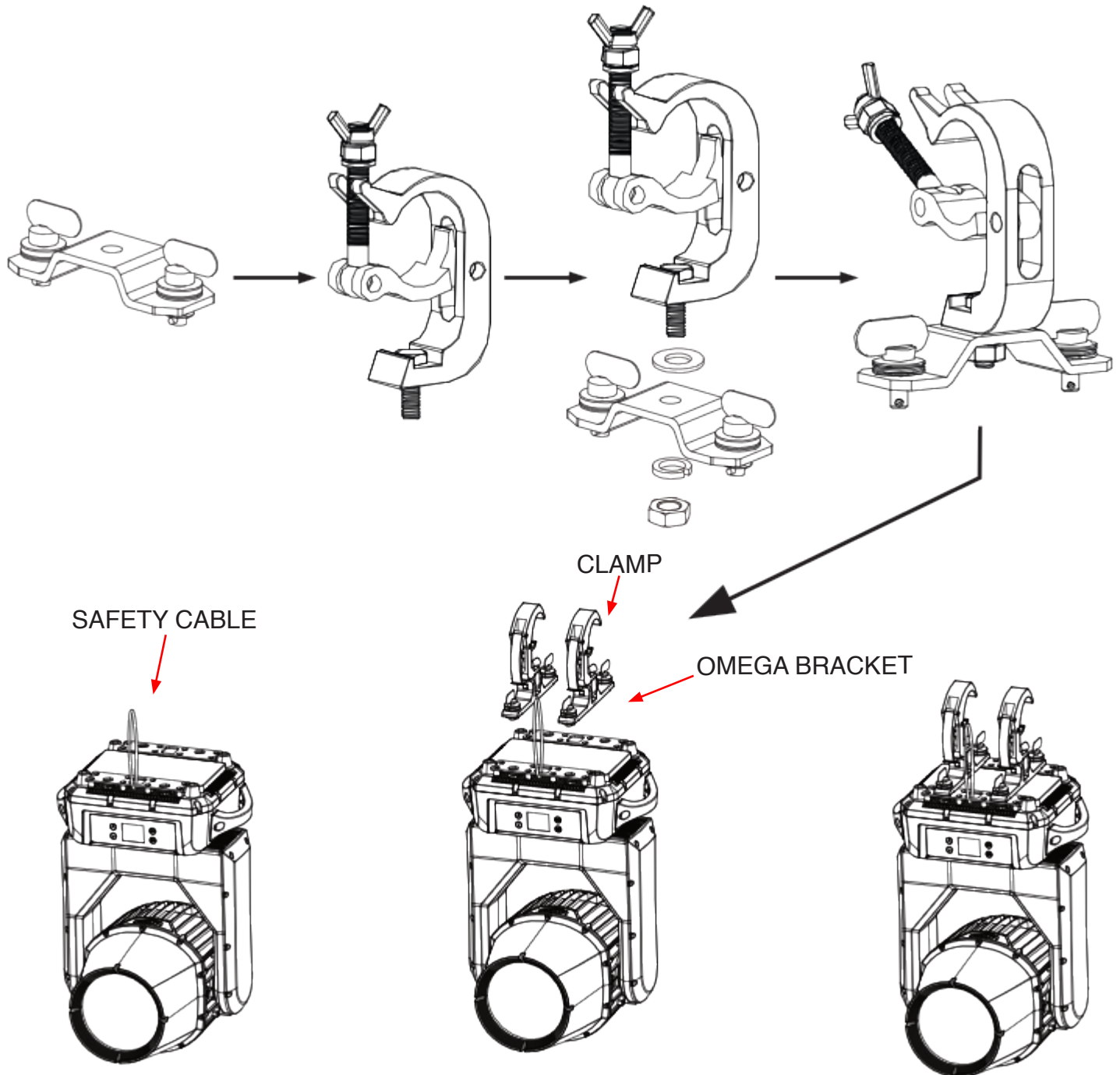
Fixture should be installed in areas outside walking paths, seating areas, or away from areas where unauthorized personnel might reach the fixture by hand.

**NEVER** stand directly below the fixture when rigging, removing, or servicing.

Allow approximately 15-minutes for the fixture to cool down before servicing.

## FIXTURE INSTALLATION

**NOTICE:** The suitable environmental temperature for this lighting fixture is between  $-20^{\circ}\text{C}$  to  $40^{\circ}\text{C}$ . Do not place this lighting fixture in an environment where the temperatures are under or above the temperatures stated above. This will allow the fixture to run at its best and help prolong the fixture life.



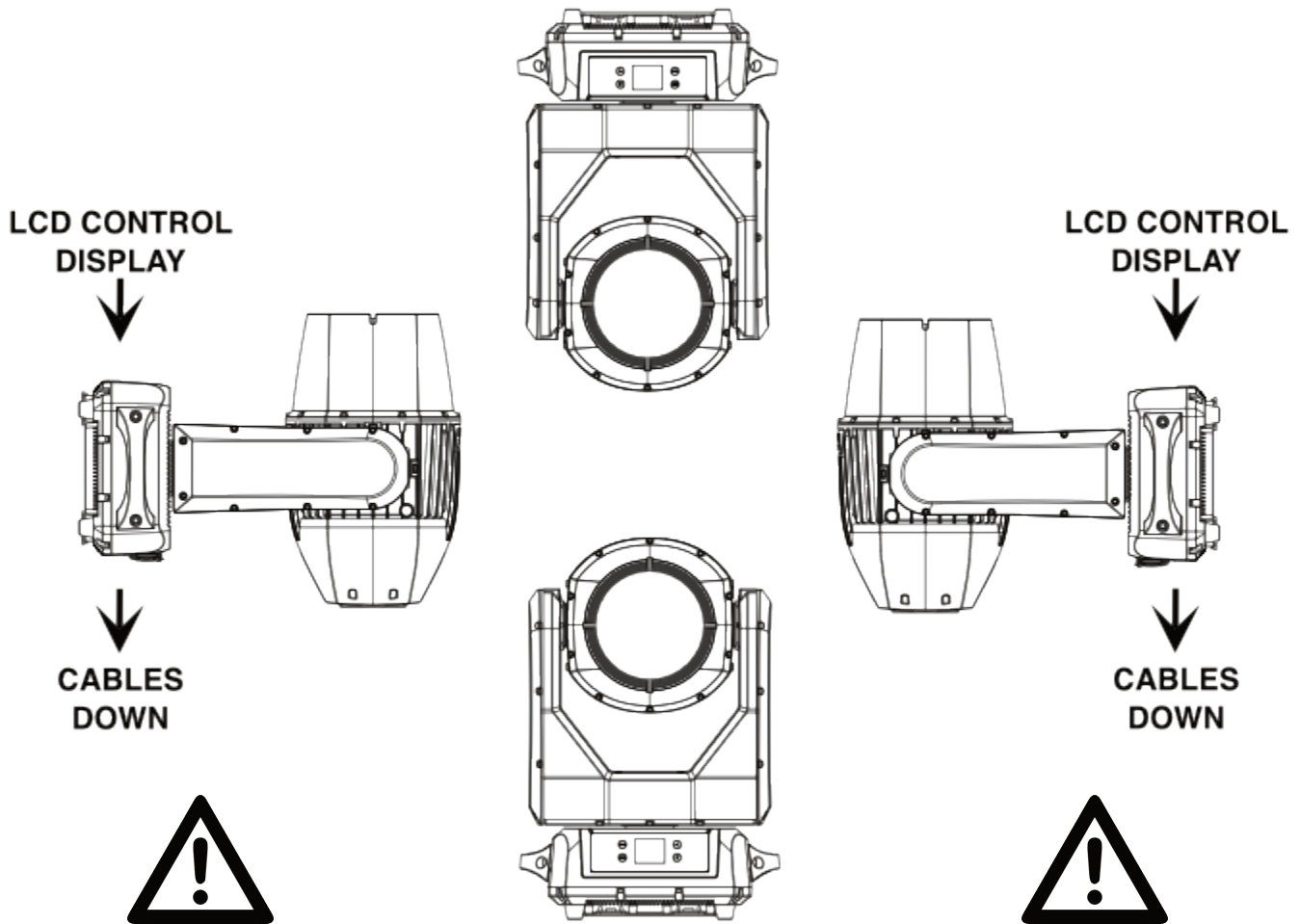
Screw one clamp via a M12 screw and nut into the Omega holder. Insert the quick-lock fasteners of the Omega holder into the respective holes of the adjustable mounting bracket. Tighten the quick-lock fasteners fully clockwise. Pull the safety-cable through the opening located on the bottom of the unit and over the trussing system or a safe fixation spot. Insert the end in the carabiner and tighten the safety screw.

# FIXTURE INSTALLATION

When installing the unit, the trussing or area of installation must be able to hold 10 times the weight without any deformation. When installing the unit must be secured with a secondary safety attachment, e.g. and appropriate safety cable. Never stand directly below the unit when mounting, removing, or servicing the unit.

Overhead mounting requires extensive experience, including calculating working load limits, installation material being used, and periodic safety inspection of all installation material and unit. If you lack these qualifications, do not attempt the installation yourself.

These installations should be checked by a skilled person once a year.



## \*SIDE MOUNTING

TO MAINTAIN IP65 RATING INTEGRITY, FIXTURE MUST BE INSTALLED WITH CABLES FACING THE GROUND AT ALL TIMES. WATER MUST EASILY RUN OFF AND NOT COLLECT AROUND CABLE CONNECTIONS.

## \*SAFETY CABLE

ALWAYS ATTACH A SAFETY CABLE WHENEVER INSTALLING THIS FIXTURE IN A SUSPENDED ENVIRONMENT TO ENSURE THE FIXTURE WILL NOT DROP IF THE CLAMP FAILS.

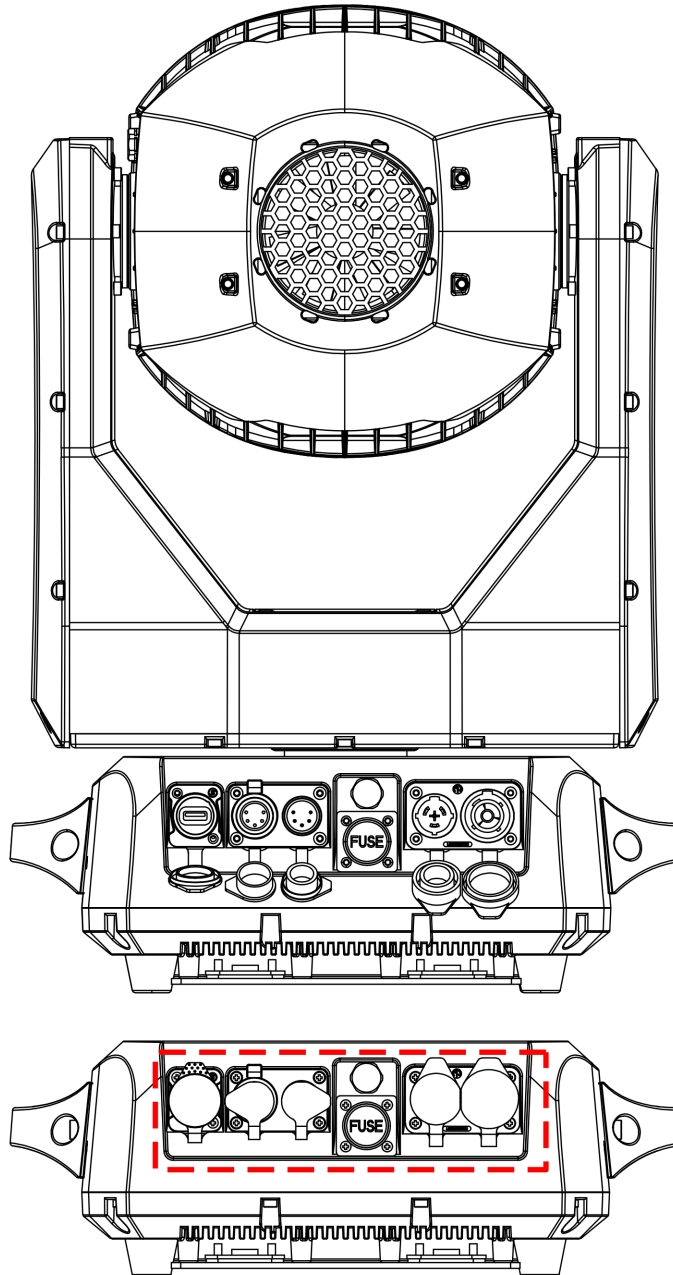
The Hydro Beam X12 is fully operational in three different mounting positions, hanging upside-down, mounted sideways on trussing, or set on a flat level surface. Be sure this fixture is kept at least 0.2m (7.9in.) away from any flammable materials (decoration etc.). Always use and install the supplied safety cable as a safety measure to prevent accidental damage and/or injury in the event the clamp fails (see next page). Never use the carrying handles for secondary attachment.

## CONNECTIONS

ENSURE ALL CONNECTIONS AND END CAPS ARE PROPERLY SEALED WITH A DIELECTRIC GREASE (AVAILABLE AT MOST ELECTRICAL SUPPLIERS) TO PREVENT WATER CORROSION AND/OR ELECTRICAL SHORT CIRCUIT.

TO MAINTAIN IP65 RATING INTEGRITY AND PREVENT WATER FROM ENTERING THE FIXTURE, ALL UNUSED CONNECTION RUBBER CAPS MUST BE SEALED.

PLEASE NOTE, UNIT IS INTENDED FOR TEMPORARY OUTDOOR USE ONLY!

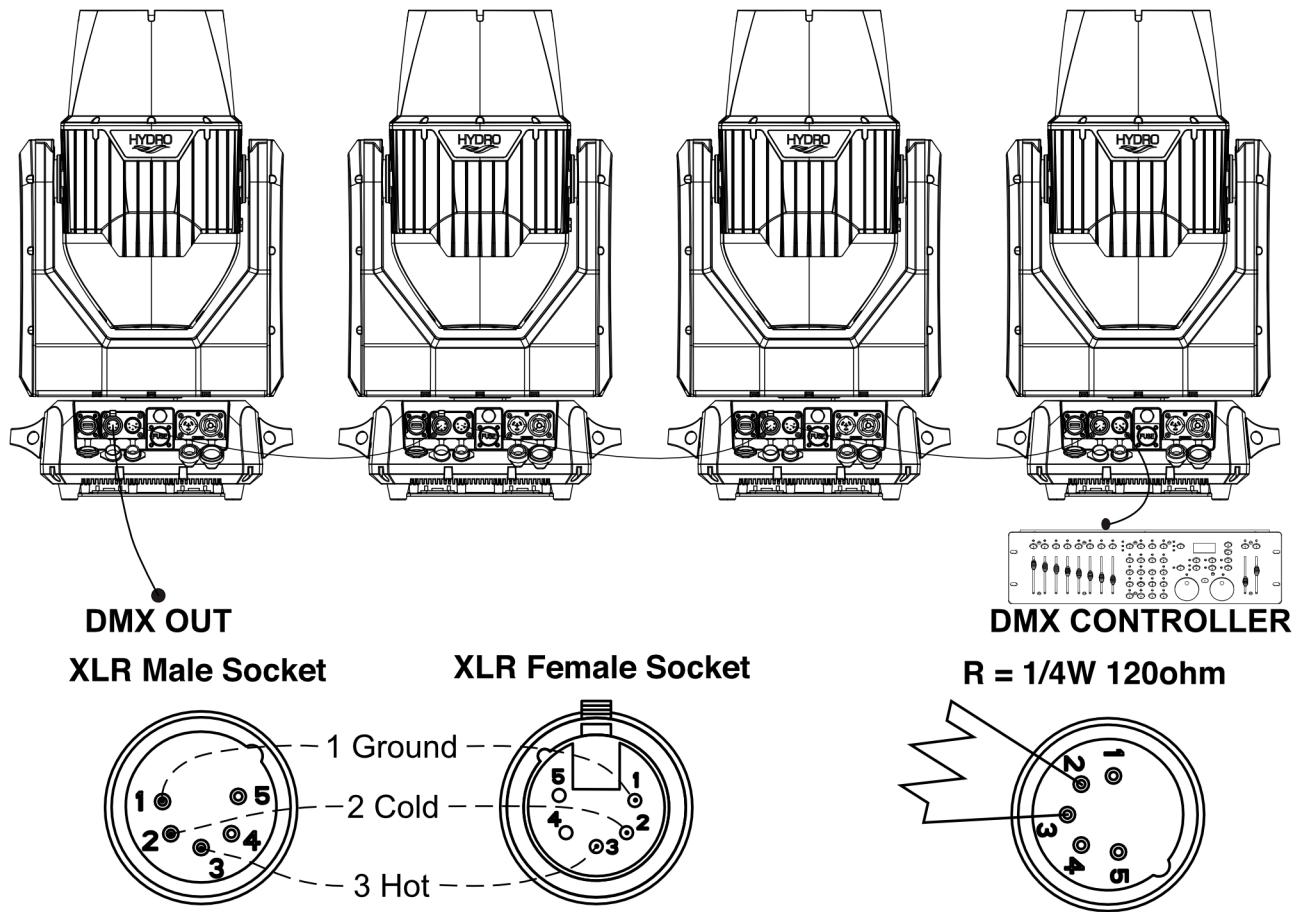


# DMX SETUP

**DMX-512:** DMX is short for Digital Multiplex. This is a universal protocol used as a form of communication between intelligent fixtures and controllers. A DMX controller sends DMX data instructions from the controller to the fixture. DMX data is sent as serial data that travels from fixture to fixture via the DATA “IN” and DATA “OUT” XLR terminals located on all DMX fixtures (most controllers only have a DATA “OUT” terminal).

**DMX Linking:** DMX is a language allowing all makes and models of different manufactures to be linked together and operate from a single controller, as long as all fixtures and the controller are DMX compliant. To ensure proper DMX data transmission, when using several DMX fixtures try to use the shortest cable path possible. The order in which fixtures are connected in a DMX line does not influence the DMX addressing. For example; a fixture assigned a DMX address of 1 may be placed anywhere in a DMX line, at the beginning, at the end, or anywhere in the middle. When a fixture is assigned a DMX address of 1, the DMX controller knows to send DATA assigned to address 1 to that unit, no matter where it is located in the DMX chain.

**Data Cable (DMX Cable) Requirements (For DMX Operation):** The Hydro BeamX2 can be controlled via DMX-512 protocol. Your unit and your DMX controller requires a 5-pin XLR connector for data input/output. We recommend Accu-Cable DMX cables. If you are making your own cables, be sure to use standard 110-120 Ohm shielded cable (This cable may be purchased at almost all pro lighting stores). Your cables should be made with a male and female XLR connector on either end of the cable. Also remember that DMX cable must be daisy chained and cannot be split.



**Special Note: Line Termination.** When longer runs of cable are used, you may need to use a terminator on the last unit to avoid erratic behavior. A terminator is a 110-120 ohm 1/4 watt resistor which is connected between pins 2 and 3 of a male XLR connector (DATA + and DATA -). This unit is inserted in the female XLR connector of the last unit in your daisy chain to terminate the line. Using a cable terminator (ADJ part number Z-DMX/T) will decrease the possibilities of erratic behavior.

**TO MAINTAIN IP65 RATING INTEGRITY AND PREVENT WATER FROM ENTERING THE FIXTURE, ALL UNUSED CONNECTION RUBBER CAPS MUST BE SEALED AND ONLY IP65 RATED POWER AND DATE CABLES MUST BE USED.**

## DMX ADDRESSING

All fixtures should be given a DMX starting address when using a DMX controller, so the correct fixture responds to the correct control signal. This digital starting address is the channel number from which the fixture starts to “listen” to the digital control signal sent out from the DMX controller. The assignment of this starting DMX address is achieved by setting the correct DMX address on the digital control display on the fixture.

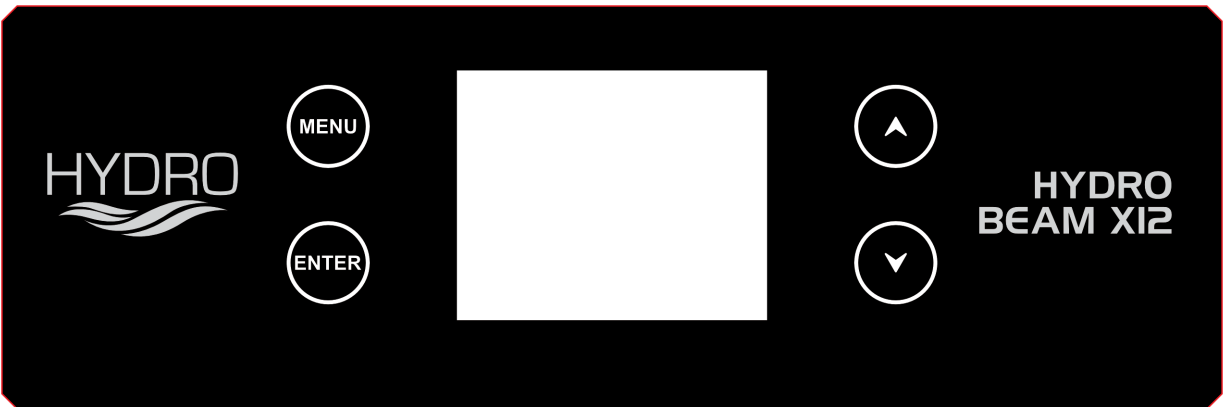
You can set the same starting address for all fixtures or a group of fixtures, or set different addresses for each individual fixture. Setting all fixtures to the same DMX address will cause all fixtures to react in the same way, in other words, changing the settings of one channel will affect all the fixtures simultaneously.

If you set each fixture to a different DMX address, each unit will start to “listen” to the channel number you have set, based on the quantity of DMX channels of each fixture. That means changing the settings of one channel will only affect the selected fixture. In the case of the Hydro Beam X12, when in 14 Channel mode, you should set the starting DMX address of the first unit to 1, the second unit to 15 (14 + 1), the third unit to 29 (15 + 14), and so on. (See the chart below for more details).

Channel Mode	Unit 1 Address	Unit 2 Address	Unit 3 Address	Unit 4 Address
14 Channels	1	15	29	43
18 Channels	1	19	37	55

## SYSTEM MENU

The fixture includes an easy to navigate system menu control panel display where all necessary settings and adjustments are made. Turn the unit on, press the **MENU** button to access the menu mode, and press the **UP/DOWN** button until the required function is displayed on the monitor. Select the function by pressing the **ENTER** button. Use the **UP/DOWN** button to navigate the submenu, then press the **ENTER** button to store selection, and automatically return to the last menu. To exit the menu mode, press the **MENU** button, or let the unit idle 30 seconds. The screen will automatically lock, and can be unlocked by pressing the **MENU** button for at least 10-seconds.





# SYSTEM MENU

Menu	Submenu	Options	Description	
DMX Settings	DMX Address	001-512	DMX Addressing	
	DMX Channel Mode	Mode1(14)/Mode2(18)	DMX Channel Mode Selection	
	No DMX Status	Hold Last / Blackout / Manual	DMX Lost Status	
Personality	Select Signal	DMX: Yes / No	Control via DMX	
		WiFly: Yes / No	Control via WiFly	
		WiFly and DMX Out: Yes / No	Control via WiFly and send DMX Out via DMX cable	
	Status Settings	Pan Invert: On / Off	Reverse Pan Motion	
		Tilt Invert: On / Off	Reverse Tilt Motion	
		P/T. Feedback: On / Off	Pan/Tilt Movement Feedback	
		P/T. Speed: Speed 1 / Speed 2	Pan/Tilt Movement Speed	
		Hibernation: Off / 01M~99M / 15M	Sleep Setting (No Activity)	
	WiFly Settings	Set WiFly Channel: 00~14	Set WiFly Wireless Channel	
		Enable / Disable WiFly	Activate / Deactivate WiFly	
	Reset Motors	All Reset: Yes / No	Reset All Motors	
		Pan/Tilt Reset: Yes / No	Reset the Pan & Tilt Motors	
		Color Reset: Yes / No	Reset the Color Wheel Motor	
		Gobo Reset: Yes / No	Reset the Gobo Wheel Motors	
		Frost Reset: Yes / No	Reset the Frost Motor	
		Prism1/R-P1 Reset: Yes / No	Reset the Prism1/R-P1 Motors	
		Prism2/R-P2 Reset: Yes / No	Reset the Prism2/R-P2 Motors	
		Shutter Reset: Yes / No	Reset the Shutter Motors	
	Display	Focus Reset: Yes / No	Reset the Focus Motors	
		Intensity: 1~10 (Dimmest-Brightest)	Display Brightness	
			Display Invert: Yes / No	Display Readout Inversion
			Screen Saver Delay: Off~10M	Display Shutoff Time
	Lock On/Off: On / Off		Lock Screen	
	Service	Pass Code = 050	Calibration (Pass Code = 050)	Calibration Adjustment
			USB Port Power On/Off	
			Update Software	
			Factory Restore Yes / No (Pass Code = 011)	Restore Factory Settings
Manual Control	Pan	000-255	Manual Control	
	Tilt	000-255		
	Color	000-255		
	Gobo	000-255		
	Prism1	000-255		
	RPrism1	000-255		
	Prism2	000-255		
	RPrism2	000-255		
	Strobe	000-255		
	Dimmer	000-255		
	Focus	000-255		
Frost	000-255			

# SYSTEM MENU

Menu	Submenu	Options	Description	
Information	Fixture Life Time	Power On Time: XXXXXX Hours	Total Running Time (Not Resettable)	
		P On Time-R: XXXXXX Hours	Total Running Time (Resettable)	
		P-On Time Reset: <b>Pass Code = 050</b>	Reset P-On Time-R (Total Running Time)	
	Total Lamp Time	Lamp On Time - XXXXXX Hours	Lamp On Time (Not Resettable)	
		Lamp On Time-R - XXXXXX Hours	Lamp On Time (Resettable)	
		Lamp On Time Reset: <b>Pass Code = 050</b>	Reset Lamp On Time-R (Lamp On Time)	
	Fixture Temps	Head	Current: XXX °F / XXX °C	Current Head Temperature
			Max Resettable: XXX °F / XXX °C	Maximum Temperature(1) Reached (Resettable) <b>(See Note 1)</b>
			Max Not Resettable: XXX °F / XXX °C	Maximum Temperature(2) Reached (Not Resettable) <b>(See Note 2)</b>
		Base	Current: XXX °F / XXX °C	Current Base Temperature
			Max Resettable: XXX °F / XXX °C	Maximum Temperature(1) Reached (Resettable) <b>(See Note 1)</b>
			Max Not Resettable: XXX °F / XXX °C	Maximum Temperature(2) Reached (Not Resettable) <b>(See Note 2)</b>
			Reset Head Temp: Yes / No <b>(Pass Code = 050)</b>	Reset Head Temperature (Max Resettable)
			Reset Base Temp: Yes / No <b>(Pass Code = 050)</b>	Reset Base Temperature (Max Resettable)
		Humidity	Head Humidity: XXX%	Current Head Humidity
	Base Humidity: XXX%		Current Base Humidity	
	Fan Info. (RPM)	B_Fan 1, B_Fan 2, A_Fan 1, B_Fan2, H_Fan 1, H Fan 2, H Fan 3, H Fan 4, H Fan 5, H Fan 6, H Fan 7, & H_Fan 8	Fan Speed	
	DMX Values(3) <b>(See Note 3)</b>	Pan, Pan Fine, Tilt, Tilt Fine, Color, Gobo, Prism1, RPrism1, Prism2, RPrism2, Strobe, Dimmer, Dimmer Fine, Focus, Focus Fine, Frost, P/T Speed, & Function	Current DMX Values	
	RDM UID			
	Error Logs	Fixture Errors (Listed Errors One by One)	Last 10 Fixture Error Codes	
Reset Error Log: Yes / <b>No (Pass Code = 050)</b>		Clear the Error Log		
Software Version	X.XX	Current Software Version		
Lamp Control	Lamp ON / OFF	On / <b>Off</b>	Lamp On/Off	
	Lamp ON with Power	On / <b>Off</b>	Lamp ON when Power ON	
	Lamp ON via DMX	<b>On</b> / Off	Lamp Power ON via DMX	
	Lamp OFF via DMX	<b>On</b> / Off	Lamp Power OFF via DMX	
<b>Notes:</b> (1) Current Maximum Temperature - Maximum fixture temp. that has been recorded, before reset and after reset. (2) Maximum Temperature - Overall maximum fixture temp. that has been recorded. (Not Resettable) (3) DMX Value options depend on the DMX Channel mode the fixture is set to.				

# SYSTEM MENU

## DMX Settings

Select **DMX Settings**, and press the **ENTER** button to confirm. Use the **UP/DOWN** button to select **DMX Address**, **DMX Channel Mode**, or **No DMX Status**.

## DMX Address

Select **DMX Address**, press the **ENTER** button to confirm. Use the **UP/DOWN** button to adjust the address from **001** to **499/495**, press the **ENTER** button to store. Press the **MENU** button to go back to the last menu, or let the unit idle for 30 seconds to exit menu mode.

## DMX Channel Mode

Select **DMX Channel Mode**, and press the **ENTER** button to confirm. Use the **UP/DOWN** button to select **Mode1 (14)** or **Mode2 (18)**, press the **ENTER** button to store. Press the **MENU** button to go back to the last menu, or let the unit idle 30 seconds to exit menu mode.

## No DMX Status

Select **No DMX Status**, and press the **ENTER** button to confirm. Use the **UP/DOWN** button to select **Blackout** (fixture blacks out if DMX signal stops), **Hold Last** (fixture continues to obey the last command it received Via DMX if DMX signal stops), or **Manual** (the fixture will automatically read the DMX value in the “**ManualControl**” menu for operation after selecting this mode), press the **ENTER** button to store. Press the **MENU** button to go back the last menu, or let the unit idle 30 seconds to exit menu mode.

## Personality

Select **Personality**, and press the **ENTER** button to confirm. Use the **UP/DOWN** button to select **Select Signal**, **Status Settings**, **WiFly Settings**, **Reset Motors**, **Display**, or **Service**.

## Select Signal

Select **Select Signal**, and press the **ENTER** button to confirm. Use the **UP/DOWN** button to select **DMX**, **Wifly**, or **Wifly and DMX Out**, press the **ENTER** button to store. Use the **UP/DOWN** button to select **No** or **Yes**, and press the **ENTER** button to store. Press the **MENU** button to go back to the last menu, or let the unit idle 30 seconds to exit menu mode.

## Status Settings

Select **Status Settings**, and press the **ENTER** button to confirm. Use the **UP/DOWN** button to select **Pan Invert**, **Tilt Invert**, **P/T Feedback**, **P/T Speed**, or **Hibernation**.

## Pan Invert

Select **Pan Invert**, and press the **ENTER** button to confirm. Use the **UP/DOWN** button to select **Off** or **On**, press the **ENTER** button to store. Press the **MENU** button to go back to the last menu, or let the unit idle 30 seconds to exit menu mode.

## Tilt Invert

Select **Tilt Invert**, and press the **ENTER** button to confirm. Use the **UP/DOWN** button to select **Off** or **On**, press the **ENTER** button to store. Press the **MENU** button to go back to the last menu or let the unit idle 30 seconds to exit menu mode.

## P/T Feedback

Select **P/T Feedback**, and press the **ENTER** button to confirm. Use the **UP/DOWN** button to select **Off** or **On**, press the **ENTER** button to store. Press the **MENU** button to go back to the last menu, or let the unit idle 30 seconds to exit menu mode.

## P/T Speed

Select **P/T Speed**, and press the **ENTER** button to confirm. Use the **UP/DOWN** button to select **Speed1**, or **Speed2**, press the **ENTER** button to store. Press the **MENU** button to go back to the last menu, or let the unit idle 30 seconds to exit menu mode.

## Hibernation

Select **Hibernation**, and press the **ENTER** button to confirm. Use the **DOWN/UP** button to select **OFF**, or **01M~99M**, and press the **ENTER** button to store. Press the **MENU** button to go back to the last menu, or let the unit idle 30 seconds to exit menu mode.

# SYSTEM MENU

## WiFly

Select **WiFly**, and press the **ENTER** button to confirm. Use the **UP/DOWN** button to select **No** or **Yes** and press the **ENTER** button to store. To select **WiFly and DMX on**, use the **UP/DOWN** button to select **No** or **Yes** and press the **ENTER** button to store. With the **WiFly and DMX on**, you can control the unit via wifly, and send a DMX signal via DMX cable to a nearby device that does not have WiFly capabilities. Press the **MENU** button to go back to the last menu, or let the unit idle 30 seconds to exit menu mode.

## Reset Motors

Select **Reset Motors**, and press the **ENTER** button to confirm. Use the **UP/DOWN** button to select **All Reset**, **Pan/Tilt Reset**, **Color Reset**, **Gobo Reset**, **Frost Reset**, **Prism1/R-P1 Reset**, **Prism2/R-P2 Reset**, **Shutter Reset**, or **Focus Reset**.

## All Reset

Select **All Reset**, and press the **ENTER** button to confirm. Use the **UP/DOWN** button to select **No** or **Yes** and press the **ENTER** button to store. Press the **MENU** button back to go back to the last menu, or let the unit idle 30 seconds to exit menu mode.

## Pan/Tilt Reset

Select **Pan/Tilt Reset**, press the **ENTER** button to confirm. Use the **UP/DOWN** button to select **No** or **Yes** and press the **ENTER** button to store. Press the **MENU** button to go back to the last menu, or let the unit idle 30 seconds to exit menu mode.

## Color Reset

Select **Color Reset**, and press the **ENTER** button to confirm. Use the **UP/DOWN** button to select **No** or **Yes** and press the **ENTER** button to store. Press the **MENU** button to go back to the last menu, or let the unit idle 30 seconds to exit menu mode.

## Gobo Reset

Select **Gobo Reset**, and press the **ENTER** button to confirm. Use the **UP/DOWN** button to select **No** or **Yes**, and press the **ENTER** button to store. Press the **MENU** button to go back to the last menu, or let the unit idle 30 seconds to exit menu mode.

## Frost Reset

Select **Frost Reset**, and press the **ENTER** button to confirm. Use the **UP/DOWN** button to select **No** or **Yes** and press the **ENTER** button to store. Press the **MENU** button to go back to the last menu, or let the unit idle 30 seconds to exit menu mode.

## Prism1/R-P1 Reset

Select **Prism1/R-P1 Reset**, and press the **ENTER** button to confirm. Use the **UP/DOWN** button to select **No** or **Yes** and press the **ENTER** button to store. Press the **MENU** button to go back to the last menu, or let the unit idle 30 seconds to exit menu mode.

## Prism2/R-P2 Reset

Select **Prism2/R-P2 Reset**, and press the **ENTER** button to confirm. Use the **UP/DOWN** button to select **No** or **Yes** and press the **ENTER** button to store. Press the **MENU** button to go back to the last menu, or let the unit idle 30 seconds to exit menu mode.

## Shutter Reset

Select **Shutter Reset**, and press the **ENTER** button to confirm. Use the **UP/DOWN** button to select **No** or **Yes**, and press the **ENTER** button to store. Press the **MENU** button to go back to the last menu, or let the unit idle 30 seconds to exit menu mode.

## Focus Reset

Select **Focus Reset**, and press the **ENTER** button to confirm. Use the **UP/DOWN** button to select **No** or **Yes** and press the **ENTER** button to store. Press the **MENU** button to go back to the last menu, or let the unit idle 30 seconds to exit menu mode.

## Display

Select **Display**, and press the **ENTER** button to confirm. Use the **UP/DOWN** button to select **Intensity**, **Display Invert**, or **Screen Saver Delay**.

# SYSTEM MENU

## Intensity

Select **Intensity**, and press the **ENTER** button to confirm. Use the **UP/DOWN** button to adjust the backlight intensity from **1(dark)** to **10(bright)**, and press the **ENTER** button to store. Press the **MENU** button to go back to the last menu, or let the unit idle 30 seconds to exit menu mode.

## Display Invert

Select **Display Invert**, and press the **ENTER** button to confirm. Use the **UP/DOWN** button to select **No**, or **Yes**, and press the **ENTER** button to store. Press the **MENU** button to go back to the last menu, or let the unit idle 30 seconds to exit menu mode.

## Screen Saver Delay

Select **Screen Saver Delay**, and press the **ENTER** button to confirm. Use the **DOWN/UP** button to select **OFF**, or **01M~10M**, and press the **ENTER** button to store. Press the **MENU** button to go back to the last menu, or let the unit idle 30 seconds to exit menu mode.

## Lock On/Off

Select **Lock On/Off**, and press the **ENTER** button to confirm. Use the **DOWN/UP** button to toggle between **OFF** and **ON**, and press the **ENTER** button to store. Press the **MENU** button to go back to the last menu, or let the unit idle 30 seconds to exit menu mode.

## Service

Select **Service**, and press the **ENTER** button to confirm. Use the **UP/DOWN** button to set the passcode (**050**), and press the **ENTER** button to confirm. Use the **UP/DOWN** button to select **Calibration**, **USB Port Power**, **USB Software**, or **Factory Restore**.

## Calibration

Select **Calibration**, and press the **ENTER** button to confirm. Use the **UP/DOWN** button to select **Pan**, **Tilt**, **Strobe**, **Color**, **Gobo**, **Prism1**, **RPrism1**, **Prism2**, **RPrism2**, **Focus**, or **Frost**, and press the **ENTER** button to store. Press the **MENU** button to go back to the last menu, or let the unit idle 30 seconds to exit menu mode.

## USB Port Power

Select **USB Port Power**, and press the **ENTER** button to confirm. Use the **UP/DOWN** button to select **Off**, or **On**, and press the **ENTER** button to store. Press the **MENU** button to go back to the last menu, or let the unit idle 30 seconds to exit menu mode.

## USB Software (Update Software)

Select **Update Software**, and press the **ENTER** button to confirm. Use the **UP/DOWN** button to select an upgrade file, and press the **ENTER** button to confirm. Select **V00** software provided, then the fixture will load the software from 0-100%. Repeat the steps and use the **V.1XX**. To verify that the software was successfully uploaded, use the menu to select **Information**, and use the **UP/DOWN** button to select **Software**. For the latest software, please contact ADJ Service Department (Email: [support@adj.com](mailto:support@adj.com), Phone (323) 582-2650). Once received, the software can be loaded to a **USB Flash Drive** (32 GB max., formatted to FAT32 if possible).

## Factory Restore

Select **Factory Restore**, and press the **ENTER** button to confirm. Use the **UP/DOWN** button to select **No** or **Yes**, and press the **ENTER** button to store. To select **Yes**, press the **ENTER** button to confirm. Use the **UP/DOWN** button to set the passcode (**011**), and press the **ENTER** button to store. Press the **MENU** button to go back to the last menu, or let the unit idle 30 seconds to exit menu mode.

## Manual Control

Select **Manual Control**, and press the **ENTER** button to confirm. Use the **UP/DOWN** button to select **Pan**, **Tilt**, **Color**, **Gobo**, **Prism1**, **RPrism1**, **Prism2**, **RPrism2**, **Strobe**, **Dimmer**, **Focus**, or **Frost**, and press the **ENTER** button to confirm. Use the **UP/DOWN** button to set the DMX value from **000** to **255**, and press the **ENTER** button to store. Press the **MENU** button to go back to the last menu, or let the unit idle 30 seconds to exit menu mode.

## Information

Select **Information**, and press the **ENTER** button to confirm. Use the **UP/DOWN** button to select **Fixture Life Time**, **Total Lamp Time**, **Fixture Temps**, **Humidity**, **Fan Info.(RPM)**, **DMX Values**, **RDM UID**, **Error Logs**, or **Software Version**.

# SYSTEM MENU

## Fixture Life Time

Select **Fixture Life Time**, and press the **ENTER** button to confirm. Use the **UP/DOWN** button to select **Power On Time**, **P-On Time-R**, or **P-On Time Reset**, and press the **ENTER** button to store. Press the **MENU** button to go back to the last menu, or let the unit idle 30 seconds to exit menu mode.

## Total Lamp Time

Select **Total Lamp Time**, and press the **ENTER** button to confirm. Use the **UP/DOWN** button to select **Lamp On Time**, **Lamp On Time-R**, or **Lamp On Time Reset**, and press the **ENTER** button to store. Press the **MENU** button to get back to the last menu, or let the unit idle 30 seconds to exit menu mode.

## Fixture Temps

Select **Fixture Temps**, and press the **ENTER** button to confirm. Use the **UP/DOWN** button to select **Head**, **Base**, **Reset Head Temp**, or **Reset Base Temp**, and press the **ENTER** button to store. Press the **MENU** button to go back to the last menu, or let the unit idle 30 seconds to exit menu mode.

## Humidity

Select **Humidity**, and press the **ENTER** button to confirm. The humidity of the fixture's head or base will show on the display. Press the **MENU** button to exit.

## Fan Info.(RPM)

Select **Fan Info.(RPM)**, and press the **ENTER** button to confirm. The information of each fan will show on the display. Press the **MENU** button to exit.

## DMX Values

Select **DMX Values**, and press the **ENTER** button to confirm. The DMX values of each channel will show on the display. Press the **MENU** button to exit.

## RDM UID

Select **RDM UID**, and press the **ENTER** button to confirm. **RDM UID** will show on the display. Press the **MENU** button back to exit.

## Error Logs

Select **Error Logs**, and press the **ENTER** button to confirm. Use the **UP/DOWN** button to select **Fixture Errors**, or **Reset Error Logs**, and press the **ENTER** button to store. Select **Reset Error Logs**, and press the **ENTER** button to confirm. Use the **UP/DOWN** button to select **No** or **Yes**, and press the **ENTER** button to store. Select **Yes**, and press the **ENTER** button to confirm. Use the **UP/DOWN** button to set the password (**050**), and press the **ENTER** button to store. Press the **MENU** button to get back to the last menu or let the unit idle 30 seconds to exit menu, mode.

## Lamp Control

Select **Lamp Control**, and press the **ENTER** button to confirm. Use the **UP/DOWN** button to select **Lamp On/Off**, **Lamp ON with Power**, **Lamp ON via DMX**, or **Lamp OFF via DMX**.

## Lamp On/Off

Select **Lamp On/Off**, and press the **ENTER** button to confirm. Use the **UP/DOWN** button to select **Off(lamp off)**, or **On(lamp on)**, and press the **ENTER** button to store. Press the **MENU** button back to the last menu, or let the unit idle 30 seconds to exit menu mode.

## Lamp ON with Power

Select **Lamp ON with Power**, and press the **ENTER** button to confirm. Use the **UP/DOWN** button to select **Off(Lamp off while power on)**, or **On(Lamp on while power on)**, and press the **ENTER** button to store. Press the **MENU** button to go back to the last menu, or let the unit idle 30 seconds to exit menu mode.

## Lamp ON via DMX

Select **Lamp ON via DMX**, and press the **ENTER** button to confirm. Use the **UP/DOWN** button to select **Off**, or **On**, and press the **ENTER** button to store. Press the **MENU** button to go back to the last menu, or let the unit idle 30 seconds to exit menu mode.

## Lamp OFF via DMX

Select **Lamp OFF via DMX**, and press the **ENTER** button to confirm. Use the **UP/DOWN** button to select **Off** or **On**, and press the **ENTER** button to store. Press the **MENU** button to go back to the last menu, or let the unit idle 30 seconds to exit menu mode.

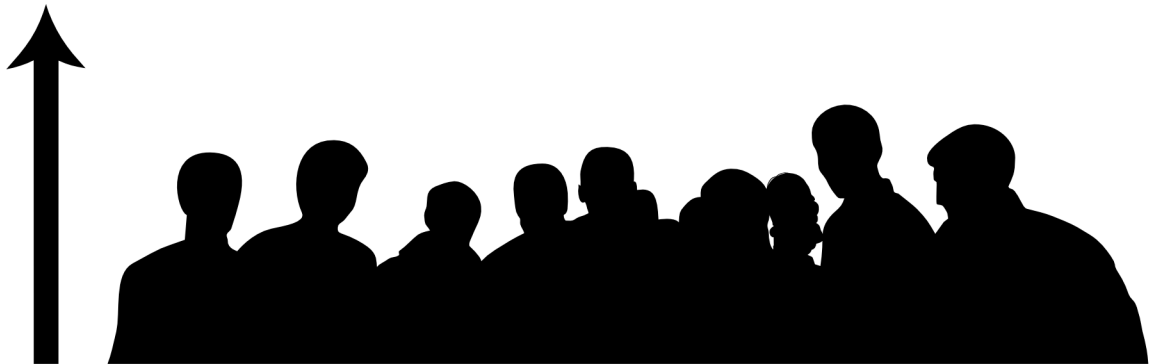
## WIFLY

There are many factors that affect and/or interrupt a wireless signal such as walls, glass, metal, objects, and people. Therefore, it is highly recommended to:

- Install devices a minimum of 9.8 ft. (3m) above audiences and/or ground level
- Adjust the wireless antenna in a vertical upright position
- Position devices in direct line of sight of the controlling WiFLY device

Careful planning and testing of the selected installation location is critical to ensure optimum and reliable wireless operation.

**9.8 ft (3m)  
Above Ground**



# DMX TRAITS: CHANNEL FUNCTIONS & VALUES (14/18 DMX Channels)

14 Channels	18 Channels	Values	Functions
1	1	000-255	<b>PAN MOVEMENT 8-BIT:</b> Pan Movement (0° - 540°)
	2	000-255	<b>PAN FINE 16-BIT:</b> Fine Control of Pan Movement
2	3	000-255	<b>TILT MOVEMENT 8-BIT:</b> Tilt Movement (0° - 270°)
	4	000-255	<b>TILT FINE 16-BIT:</b> Fine Control of Tilt Movement
3	5		<b>COLOR WHEEL:</b>
		000-003	White
		004-007	Red
		008-011	Orange
		012-015	Aqua Marine
		016-019	Green
		020-023	Light Green
		024-027	Lavender
		028-031	Pink
		032-035	Light Yellow
		036-039	Magenta
		04-043	Cyan
		044-047	Yellow
		048-051	3200K
		052-055	6000K
		056-059	UV
		060-061	White
		062-063	White to Red
		064-065	Red
		066-067	Red to Orange
		068-069	Orange
		070-071	Orange to Aqua Marine
		072-073	Aqua Marine
		074-075	Aqua Marine to Green
		076-077	Green
		078-079	Green to Light Green
		080-081	Light Green
		082-083	Light Green to Lavender
		084-085	Lavender
		086-087	Lavender to Pink
		088-089	Pink
		090-091	Pink to Light Yellow
		092-093	Light Yellow
		094-095	Light Yellow to Magenta
096-097	Magenta		
098-099	Magenta to Cyan		
100-101	Cyan		
102-103	Cyan to Yellow		
104-106	Yellow		
107-109	Yellow to 3200K		
110-112	3200K		
113-115	3200K to 6000K		
116-118	6000K		
119-121	6000K to Uv		
122-124	UV		
125-127	UV to White		
128-189	Clockwise Rotation Fast to Slow		
190-193	Stop		
	194-255	Counter-Clockwise Rotation Slow to Fast	



14 Channels	18 Channels	Values	Functions
4	6		<b>Static Gobo</b>
		000-007	White
		008-010	Gobo1
		011-013	Gobo2
		014-016	Gobo3
		017-019	Gobo4
		020-022	Gobo5
		023-025	Gobo6
		026-028	Gobo7
		029-031	Gobo8
		032-034	Gobo9
		035-037	Gobo10
		038-040	Gobo11
		041-043	Gobo12
		044-046	Gobo13
		047-049	Gobo14
		050-052	Gobo15
		053-055	Gobo16
		056-059	White Shaking, Slow to Fast
		060-063	Gobo1 Shaking, Slow to Fast
		064-067	Gobo2 Shaking, Slow to Fast
		068-071	Gobo3 Shaking, Slow to Fast
		072-075	Gobo4 Shaking, Slow to Fast
		076-079	Gobo5 Shaking, Slow to Fast
		080-083	Gobo6 Shaking, Slow to Fast
		084-087	Gobo7 Shaking, Slow to Fast
		088-091	Gobo8 Shaking, Slow to Fast
		092-095	Gobo9 Shaking, Slow to Fast
		096-099	Gobo10 Shaking, Slow to Fast
		100-103	Gobo11 Shaking, Slow to Fast
104-107	Gobo12 Shaking, Slow to Fast		
108-111	Gobo13 Shaking, Slow to Fast		
112-115	Gobo14 Shaking, Slow to Fast		
116-119	Gobo15 Shaking, Slow to Fast		
120-127	Gobo16 Shaking, Slow to Fast		
128-189	Clockwise Rotation Fast to Slow		
190-193	Stop		
194-255	Counter-Clockwise Rotation Slow to Fast		
5	7		<b>Prism1</b>
		000-007	Close
		008-255	Open
6	8		<b>Prism 1 Rotation</b>
		000-127	0-100%
		128-189	Clockwise Rotation Fast to Slow
		190-193	Stop
7	9		<b>Prism2</b>
		000-007	Close
		008-255	Open

14 Channels	18 Channels	Values	Functions
8	10		<b>Prism 2 Rotation</b>
		000-127	0-100%
		128-189	Clockwise Rotation Fast to Slow
		190-193	Stop
		194-255	Counter-Clockwise Rotation Slow to Fast
9	11		<b>Strobe</b>
		000-031	Close
		032-063	Open
		064-095	Strobe From Slow to Fast
		096-127	Open
		128-159	Pulse Effect in Sequence
		160-191	Open
		192-223	Random
		224-255	Open
10	12		<b>Dimmer</b>
		000-255	0-100%
	13		<b>Dimmer Fine</b>
		000-255	0-100%
11	14		<b>Focus</b>
		000-255	0-100%
	15		<b>Focus Fine</b>
		000-255	0-100%
12	16		<b>Frost</b>
		000-007	Close
		008-255	Open
13	17		<b>Pan/Tilt Speed</b>
		000-255	Fast to Slow
14	18		<b>Special Function</b>
		000-069	Null
		070-079	Enable Blackout While Pan/Tilt Moving
		080-089	Disable Blackout While Pan/Tilt Moving
		090-099	Enable Blackout While Color Changing
		100-109	Disable Blackout While Color Changing
		110-119	Enable Blackout While Gobo Changing
		120-129	Disable Blackout While Gobo Changing
		130-139	Lamp On
		140-149	Reset XY
		150-159	Reset Effect
		160-199	No Function
		200-209	Reset All
		210-229	No Function
230-239	Lamp Off		
		240-255	No Function

## ERROR CODES

#	Print Error Message	Description
1	CPU-B Error	CPU-B Error
2	CPU-C Error	CPU-C Error
3	CPU-D Error	CPU-D Error
4	CPU-E Error	CPU-E Error
5	CPU-F Error	CPU-F Error
6	Pan Reset Error	Pan: Reset Error
7	Pan Encode Error	Pan: Encoder Error
8	Tilt Reset Error	Tilt: Reset Error
9	Tilt Encode Error	Tilt: Encoder Error
10	Color Reset Error	Color: Reset Error
11	Gobo Reset Error	Gobo: Reset Error
12	Prism1 Reset Error	Prism1: Reset Error
13	RPrism1 Reset	RPrism1: Reset Error
14	Prism2 Reset Error	Prism2: Reset Error
15	RPrism2 Reset Error	RPrism2: Reset Error
16	Focus Reset Error	Focus: Reset Error
17	G Sensor Error	Gravity Sensor Error
18	Ballast Comm Err	Ballast Comm Error
19	Lamp Hot Power Off	Lamp Hot Power Off
20	Lamp On Error	Lamp On Error
21	Lamp Volt. Too High	Lamp Volt. Too High
22	Ballast Temp. High	Ballast Temp. High
23	Lamp Maintenance	Lamp Maintenance
24	Head Humidity Error	Head Humidity Error
25	Base Humidity Error	Base Humidity Error
26	Head Humidity Too High	Base Humidity Too High
27	Base Humidity Too High	Base Humidity Too High
28	BaseFan1 Start Err	Base Fan 1 Cannot Start
29	BaseFan1 Stop Err	Base Fan 1 Cannot Stop
30	BaseFan1 Too Low	Base Fan 1 Speed Too Low
31	BaseFan1 Too High	Base Fan 1 Speed Too High
32	BaseFan2 Start Err	Fase Fan 2 Cannot Start
33	BaseFan2 Stopp Err	Base Fan 2 Cannot Stop
34	BaseFan2 Too Low	Base Fan 2 Speed Too Low
35	BaseFan2 Too High	Base Fan 2 Speed Too High
36	ArmFan1 Start Err	Arm Fan 1 Cannot Start
37	AmFan1 Stop Error	Arm Fan 1 Cannot Stop
38	ArmFan1 Too Low	Arm Fan 1 Speed Too Low
39	ArmFan1 Too High	Arm Fan 1 Speed Too High
40		

# CODES

#	Print Error Message	Description
40	ArmFan2 Start Err	Arm Fan 2 Cannot Start
41	ArmFan2 Stop Err	Arm Fan 2 Cannot Stop
42	ArmFan2 Too Low	Arm Fan 2 Speed Too Low
43	ArmFan2 Too High	Arm Fan 2 Speed Too High
44	headFan1 Start Err	Head Fan 1 Cannot Start
45	HeadFan1 Stop Err	Head Fan 1 Cannot Stop
46	HeadFan1 Too Low	Head Fan 1 Speed Too Low
47	HeadFan1 Too High	Head Fan 1 Speed Too High
48	headFan2 Start Err	Head Fan 2 Cannot Start
49	HeadFan2 Stop Err	Head Fan 2 Cannot Stop
50	HeadFan2 Too Low	Head Fan 2 Speed Too Low
51	HeadFan2 Too High	Head Fan 2 Speed Too High
52	headFan3 Start Err	Head Fan 3 Cannot Start
53	HeadFan3 Stop Err	Head Fan 3 Cannot Stop
54	HeadFan3 Too Low	Head Fan 3 Speed Too Low
55	HeadFan3 Too High	Head Fan 3 Speed Too High
56	headFan4 Start Err	Head Fan 4 Cannot Start
57	HeadFan41 Stop Err	Head Fan 4 Cannot Stop
58	HeadFan4 Too Low	Head Fan 4 Speed Too Low
59	HeadFan4 Too High	Head Fan 4 Speed Too High
60	headFan5 Start Err	Head Fan 5 Cannot Start
61	HeadFan5 Stop Err	Head Fan 5 Cannot Stop
62	HeadFan5 Too Low	Head Fan 5 Speed Too Low
63	HeadFan5 Too High	Head Fan 5 Speed Too High
64	headFan6 Start Err	Head Fan 6 Cannot Start
65	HeadFan6 Stop Err	Head Fan 6 Cannot Stop
66	HeadFan6 Too Low	Head Fan 6 Speed Too Low
67	HeadFan6 Too High	Head Fan 6 Speed Too High
68	headFan7 Start Err	Head Fan 7 Cannot Start
69	HeadFan7 Stop Err	Head Fan 7 Cannot Stop
70	HeadFan7 Too Low	Head Fan 7 Speed Too Low
71	HeadFan7 Too High	Head Fan 7 Speed Too High
72	headFan8 Start Err	Head Fan 8 Cannot Start
73	HeadFan8 Stop Err	Head Fan 8 Cannot Stop
74	HeadFan8 Too Low	Head Fan 8 Speed Too Low
75	HeadFan8 Too High	Head Fan 8 Speed Too High
76	Head Temperature Error	Head Temperature Error
77	Base Temperature Error	Base Temperature Error

## **MULTIPLE POWER LINKING**

With this feature you can connect the fixtures to one another using the power cable input and output sockets.

**NOTE: USE CAUTION WHEN POWER LINKING OTHER FIXTURES AS THE POWER CONSUMPTION OF OTHER MODEL FIXTURES MAY EXCEED THE MAX POWER OUTPUT ON THIS FIXTURE! CHECK SILK SCREEN FOR MAX AMPS.**

## **CLEANING**

Due to fog residue, smoke, and dust cleaning the internal and external optical lenses must be carried out periodically to optimize light output.

1. Use normal glass cleaner and a soft cloth to wipe down the outside casing.
2. Clean the external optics with glass cleaner and a soft cloth every 20 days.
3. Always be sure to dry all parts completely before plugging the unit back in.

Cleaning frequency depends on the environment in which the fixture operates (i.e. smoke, fog residue, dust, dew).

# SPECIFICATIONS

## Light Source:

- Philips, 260W, MSD Platinum 12R LL Discharge Lamp (6,000 hours)
- Color temperature: 7800K
- LUX: 522,000 @10M

## Features:

- DMX512 & RDM compatible
- 2° beam angle
- High quality, optical glass lens
- Motorized Focus + 16-bit fine focus
- Frost Filter to create wash effect
- 2 Rotating prisms: 6-facet Linear and 24-facet Circular
- 0-100% smooth dimming
- Various strobe effects with speed control
- Wifly EXR, wireless DMX onboard
- USB firmware update port
- Fan cooled

## Color Wheel:

- 14 dichroic colors + white [Includes CTO (3200K), CTB (6000K) & UV]
- Split Colors
- Bidirectional color wheel scrolling

## GOBO Wheel:

- 16 static GOBOs + open (4 GOBOs are beam reducers)
- GOBO Shake Effect
- Bidirectional gobo wheel scrolling

## Prisms:

- 6-facet linear and 24-facet circular
- Bidirectional prism rotation for each prism
- Prisms can be overlaid

## Control:

- Configurable via RDM
- Controllable via DMX512 via hardware or wirelessly with Wifly EXR transceiver (sold separately)
- 2 DMX Channel Modes: 14/18 Channels
- Color LCD display with 4-button function menu
- 5 Dimmer Curves
- 0-100% smooth dimming
- Various strobe effects with speed control
- USB firmware update port
- With Wired Digital Communication Network

## Pan/Tilt:

- Pan: 540 degrees (plus 16-bit fine pan)
- Tilt: 270 degrees (plus 16-bit fine tilt)

## Connections:

- DMX Connections: 5-pin DMX In/Out
- Power Connections: IP65 rated power locking In/Out

## Electrical:

- Multi-voltage operation: 100-240V, 50/60Hz
- Max power consumption: 412W (@120V), 405W (@230V)

## Dimensions & Weight:

- Dimension: 14" (L) x 9.4" (W) x 24.4" (H) / 356 x 240 x 621mm
- Weight: 48 lbs. / 21.8 kg.

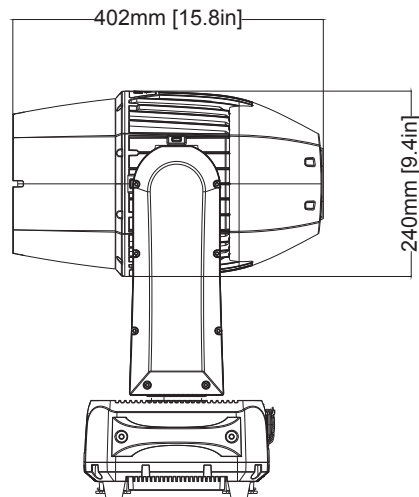
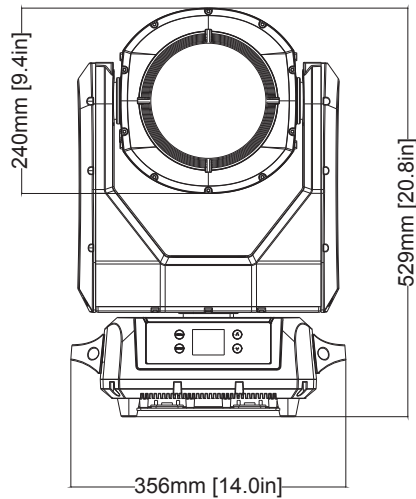
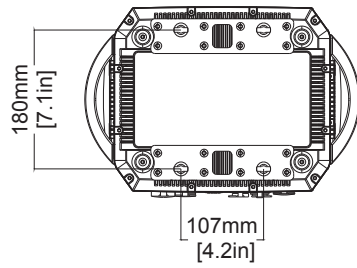
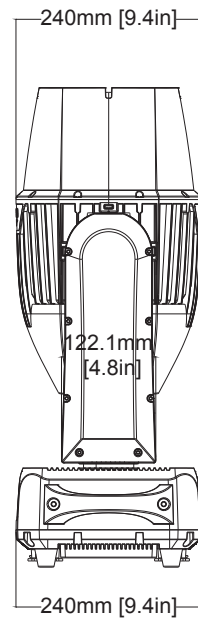
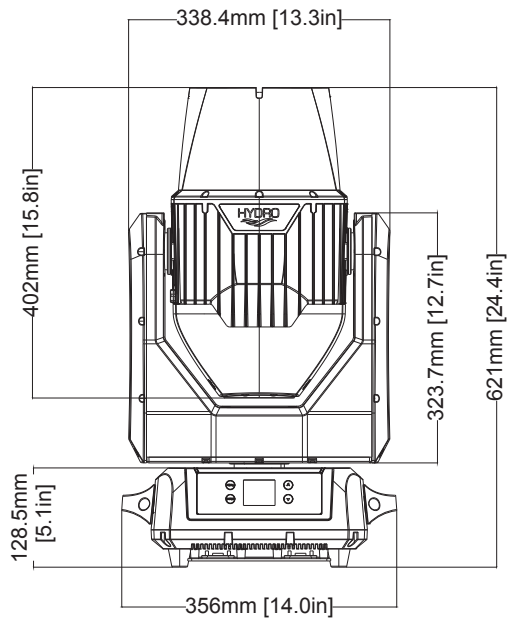
## What's Included:

- Omega Brackets for hanging
- 4.92ft. / 1.5m. IP65 locking power cable

## Approvals / Ratings:

- cETLus (pending)
- CE Certified
- IP65 (temporary outdoor use only)

# DIMENSIONS



## **FCC STATEMENT**

This device complies with Part 15 of the FCC Rules. Operation is subject to the following two conditions: (1) this device may not cause harmful interference, and (2) this device must accept any interference received, including interference that may cause undesired operation.

## **FCC RADIO FREQUENCY INTERFERENCE WARNINGS & INSTRUCTIONS**

This product has been tested and found to comply with the limits as per Part 15 of the FCC Rules. These limits are designed to provide reasonable protection against harmful interference in a residential installation. This device uses and can radiate radio frequency energy and, if not installed and used in accordance with the included instructions, may cause harmful interference to radio communications. However, there is no guarantee that interference will not occur in a particular installation. If this device does cause harmful interference to radio or television reception, which can be determined by turning the device off and on, the user is encouraged to try to correct the interference by one or more of the following methods:

- Reorient or relocate the device.
- Increase the separation between the device and the receiver.
- Connect the device to an electrical outlet on a circuit different from which the radio receiver is connected.
- Consult the dealer or an experienced radio/TV technician for help.

## **Europe Energy Saving Notice**

Energy Saving Matters (EuP 2009/125/EC)

Saving electric energy is a key to help protecting the environment. Please turn off all electrical products when they are not in use. To avoid power consumption in idle mode, disconnect all electrical equipment from power when not in use. Thank you





